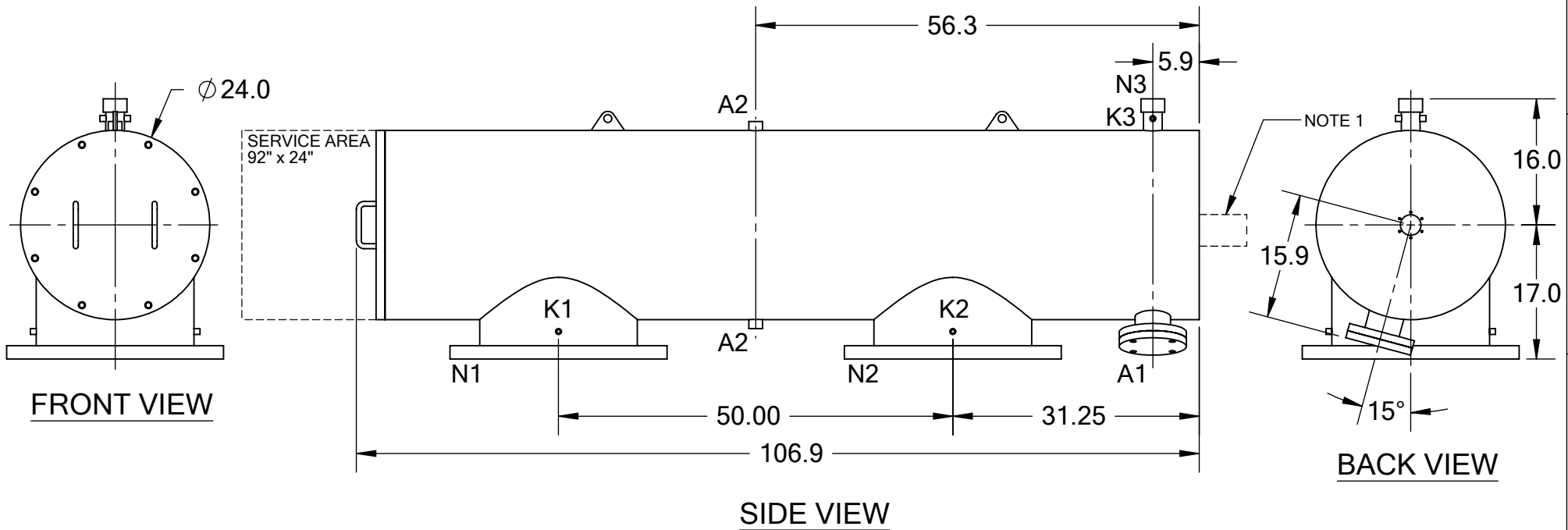


REVISIONS				
REV.	ZONE	DESCRIPTION	DATE	INITIAL
1	7D	ADDED NOTE 1.	10/17/14	M.S.



**TECHNICAL DATA**

FLOW RATE	MAX. 6,000 GPM (1,363 m <sup>3</sup> /hr)
SCREEN SIZE	____ MICRON
SCREEN AREA	16.0 SQ. FEET
DESIGN TEMPERATURE	160 °F
DESIGN PRESSURE	150 PSI
EMPTY WEIGHT	~1,500 LBS.
FULL WEIGHT	~2,300 LBS.

**NOTES:**

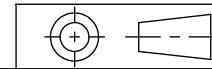
- PLEASE ALLOW ~20" ADDITIONAL TO INSTALL AND REMOVE THE PISTON ASSEMBLY TO THE BACKSIDE OF THE FILTER.

NOZZLE	CONNECTION	TYPE	SIZE	RATING
A1	SERVICE PORT	FLANGED	3.5" ASA	CL. #150 F.F. w/ Blind
A2	PRESSURE RELEASE	THREADED	1" NPT(2)	
K1	HIGH PRESSURE CONN.	THREADED	1/4" NPT(2)	
K2	LOW PRESSURE CONN.	THREADED	1/4" NPT(2)	
K3	HYDRAULIC CONN.	THREADED	1/4" NPT(2)	
N1	INLET	FLANGED	20" ASA	
N2	OUTLET	FLANGED	20" ASA	CLASS #150 F.F.S.O.
N3	FLUSH OUTLET	THREADED	2" NPT	CLASS #150 F.F.S.O.

**TOLERANCES (UNLESS OTHERWISE SPECIFIED)**

FRAC. ±1/16  
.X ±.1  
.XX ±.05  
.XXX ±.010

ANGLE ±1°



**MATERIAL:** SST

**DRAWN BY:** S. PERKINSON

**DATE:** 04/22/13

**SCALE:** 1:19 **SHEET:** 1 OF 1

**TEKLEEN®**  
Automatic Filters Inc.  
2672 S. LA CIENEGA BLVD.  
LOS ANGELES, CA 90034  
MAIN: (310) 839-2828  
FAX: (310) 839-6878

**TITLE:**  
ABW20-LP FILTER,  
CUT DRAWING

**DRAWING NUMBER** ABW-20LP-CUT-01 **REV** 1