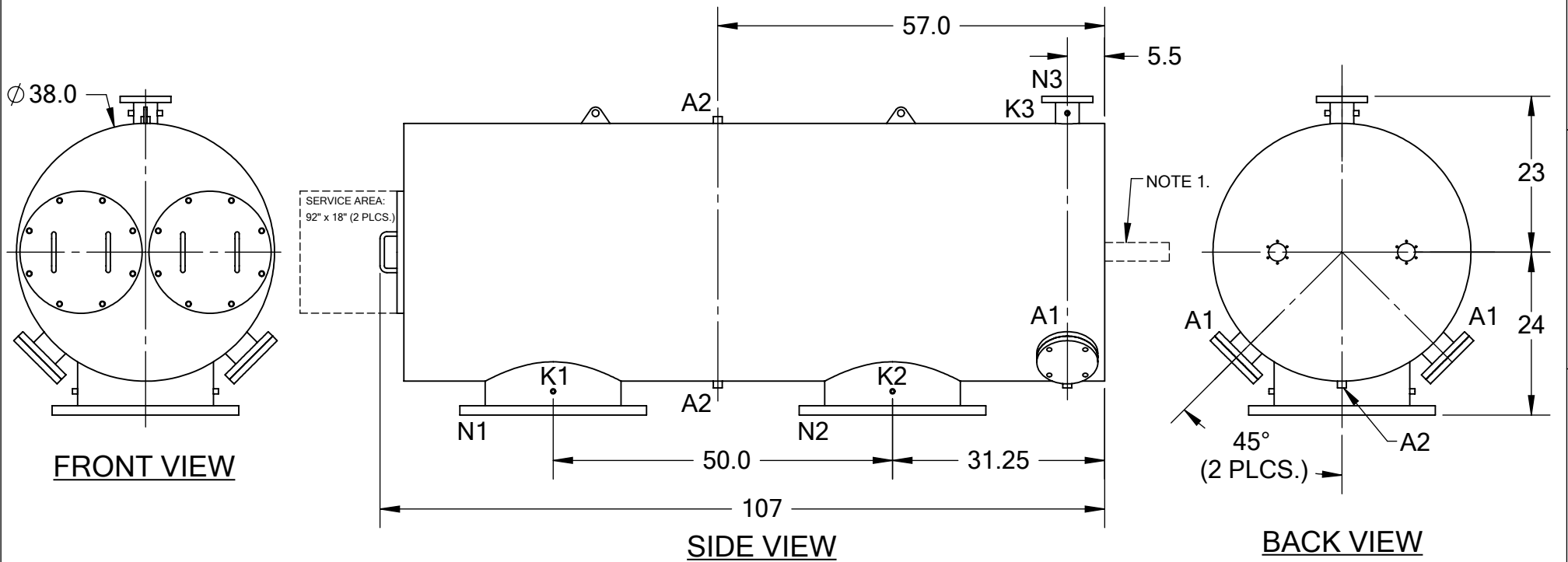


REVISIONS				
REV.	ZONE	DESCRIPTION	DATE	INITIAL



**TECHNICAL DATA**

FLOW RATE	8,000 GPM (1,817 m <sup>3</sup> /hr)
SCREEN SIZE	--- MICRON
SCREEN AREA	25.0 SQ. FT. (2 x 12.5 SQ. FT.)
DESIGN TEMPERATURE	160 °F
DESIGN PRESSURE	150 PSI
EMPTY WEIGHT	~3,100 LBS.
FULL WEIGHT	~8,100 LBS.

**NOTES:**

- PLEASE ALLOW ~20" ADDITIONAL TO INSTALL AND REMOVE THE PISTON ASSEMBLY TO THE BACKSIDE OF THE FILTER (2 PLCS.).
- SERVICE AREAS ARE NOT TO SCALE.

UNAUTHORIZED USE, MANUFACTURE OR REPRODUCTION IN WHOLE OR IN PART IS PROHIBITED. DRAWING, DESIGN AND OTHER DISCLOSURES PROPERTY OF TEKLEEN AUTOMATIC FILTERS, INC.

NOZZLE	CONNECTION	TYPE	SIZE	RATING	TOLERANCES (UNLESS OTHERWISE SPECIFIED)		 <b>TEKLEEN</b> <i>Automatic Filters Inc.</i> 2672 S. LA CIENEGA BLVD. LOS ANGELES, CA 90034 MAIN: (310) 839-2828 FAX: (310) 839-6878
A1	SERVICE PORT	FLANGED	3.5" ASA(2)	CL. #150 F.F. w/ Blind	FRAC. ±1/16	ANGLE ±1°	
A2	PRESSURE RELEASE	THREADED	1" NPT(3)		.X ±.1		
K1	HIGH PRESSURE CONN.	THREADED	1/4" NPT(2)	CLASS #150 F.F.S.O.	.XX ±.05		
K2	LOW PRESSURE CONN.	THREADED	1/4" NPT(2)	CLASS #150 F.F.S.O.	.XXX ±.010		
K3	HYDRAULIC CONN.	THREADED	1/4" NPT(2)	CLASS #150 F.F.S.O.	<b>MATERIAL:</b> SST		<b>TITLE:</b> ABW20-TP FILTER, ONE HOUSING, CUT DRAWING
N1	INLET	FLANGED	20" ASA		<b>DRAWN BY:</b> S. PERKINSON		
N2	OUTLET	FLANGED	20" ASA		<b>DATE:</b> 04/20/2018		
N3	FLUSH OUTLET	FLANGED	3" ASA	<b>SCALE:</b> 1:22		<b>SHEET:</b> 1 OF 1	<b>DRAWING NUMBER</b> ABW-20TP-CUT-02
							<b>REV</b> N/A