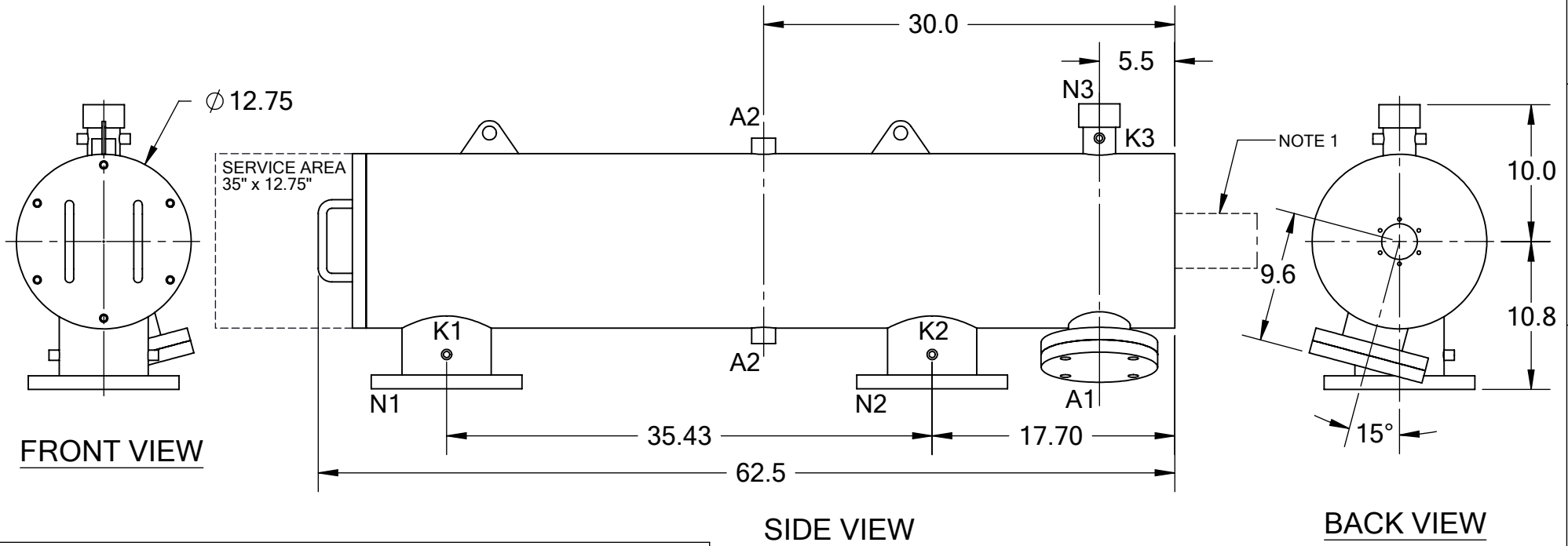


REVISIONS				
REV.	ZONE	DESCRIPTION	DATE	INITIAL
1	1B, 2B	CHANGED "WORKING" TO "DESIGN" & TEMPERATURE FROM 200°F TO 160°F IN TECHNICAL DATA TABLE.	09/27/12	S.P.
2	7D	ADDED NOTE 1.	10/17/14	M.S.


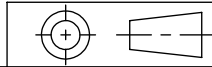


TECHNICAL DATA

FLOW RATE	MAX. 800 GPM (182 m ³ /hr)
SCREEN SIZE	____ MICRON
SCREEN AREA	5.0 SQ. FEET
DESIGN TEMPERATURE	160 °F
DESIGN PRESSURE	150 PSI
EMPTY WEIGHT	~300 LBS.
FULL WEIGHT	~650 LBS.

NOTES:

- PLEASE ALLOW ~20" ADDITIONAL TO INSTALL AND REMOVE THE PISTON ASSEMBLY TO THE BACKSIDE OF THE FILTER.

NOZZLE	CONNECTION	TYPE	SIZE	RATING	TOLERANCES (UNLESS OTHERWISE SPECIFIED)	 2672 S. LA CIENEGA BLVD. LOS ANGELES, CA 90034 MAIN: (310) 839-2828 FAX: (310) 839-6878
A1	SERVICE PORT	FLANGED	3.5" ASA	CL. #150 F.F. w/ Blind		
A2	PRESSURE RELEASE	THREADED	1" NPT(2)			TITLE: ABW6-LP FILTER, CUT DRAWING
K1	HIGH PRESSURE CONN.	THREADED	1/4" NPT(2)	CLASS #150 F.F.S.O.	MATERIAL: SST	
K2	LOW PRESSURE CONN.	THREADED	1/4" NPT(2)	CLASS #150 F.F.S.O.	DRAWN BY: S. PERKINSON	DRAWING NUMBER REV ABW-6LP-CUT-01 2
K3	HYDRAULIC CONN.	THREADED	1/4" NPT(2)		DATE: 06/17/11	
N1	INLET	FLANGED	6" ASA		SCALE: 1:11 SHEET: 1 OF 1	
N2	OUTLET	FLANGED	6" ASA			
N3	FLUSH OUTLET	THREADED	2" NPT			