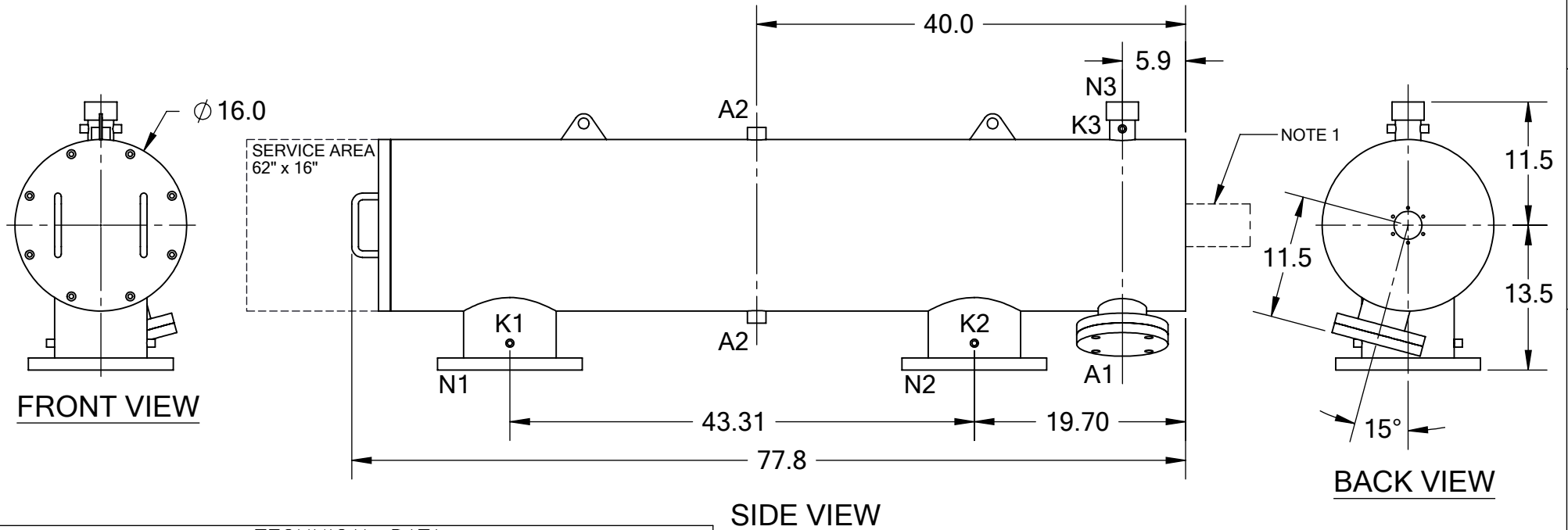


REVISIONS				
REV.	ZONE	DESCRIPTION	DATE	INITIAL
1	1B, 2B	CHANGED "WORKING" TO "DESIGN" & TEMPERATURE FROM 200°F TO 160°F IN TECHNICAL DATA TABLE.	09/27/12	S.P.
2	7D	ADDED NOTE 1.	10/17/14	M.S.



**TECHNICAL DATA**

FLOW RATE	MAX. 1,750 GPM (397 m <sup>3</sup> /hr)
SCREEN SIZE	____ MICRON
SCREEN AREA	7.0 SQ. FEET
DESIGN TEMPERATURE	160 °F
DESIGN PRESSURE	150 PSI
EMPTY WEIGHT	~560 LBS.
FULL WEIGHT	~1,085 LBS.

**NOTES:**

- PLEASE ALLOW ~20" ADDITIONAL TO INSTALL AND REMOVE THE PISTON ASSEMBLY TO THE BACKSIDE OF THE FILTER.

NOZZLE	CONNECTION	TYPE	SIZE	RATING	TOLERANCES (UNLESS OTHERWISE SPECIFIED)	 <b>TEKLEEN</b> <i>Automatic Filters Inc.</i> 2672 S. LA CIENEGA BLVD. LOS ANGELES, CA 90034 MAIN: (310) 839-2828 FAX: (310) 839-6878
A1	SERVICE PORT	FLANGED	3.5" ASA	CL. #150 F.F. w/ Blind		
A2	PRESSURE RELEASE	THREADED	1" NPT(2)		<b>MATERIAL:</b> SST	<b>TITLE:</b> ABW8-SP FILTER, CUT DRAWING
K1	HIGH PRESSURE CONN.	THREADED	1/4" NPT(2)		<b>DRAWN BY:</b> S. PERKINSON	
K2	LOW PRESSURE CONN.	THREADED	1/4" NPT(2)		<b>DATE:</b> 06/28/11	<b>DRAWING NUMBER</b> <b>REV</b> ABW-8SP-CUT-01      2
K3	HYDRAULIC CONN.	THREADED	1/4" NPT(2)		<b>SCALE:</b> 1:14 <b>SHEET:</b> 1 OF 1	
N1	INLET	FLANGED	8" ASA	CLASS #150 F.F.S.O.		
N2	OUTLET	FLANGED	8" ASA	CLASS #150 F.F.S.O.		
N3	FLUSH OUTLET	THREADED	2" NPT			