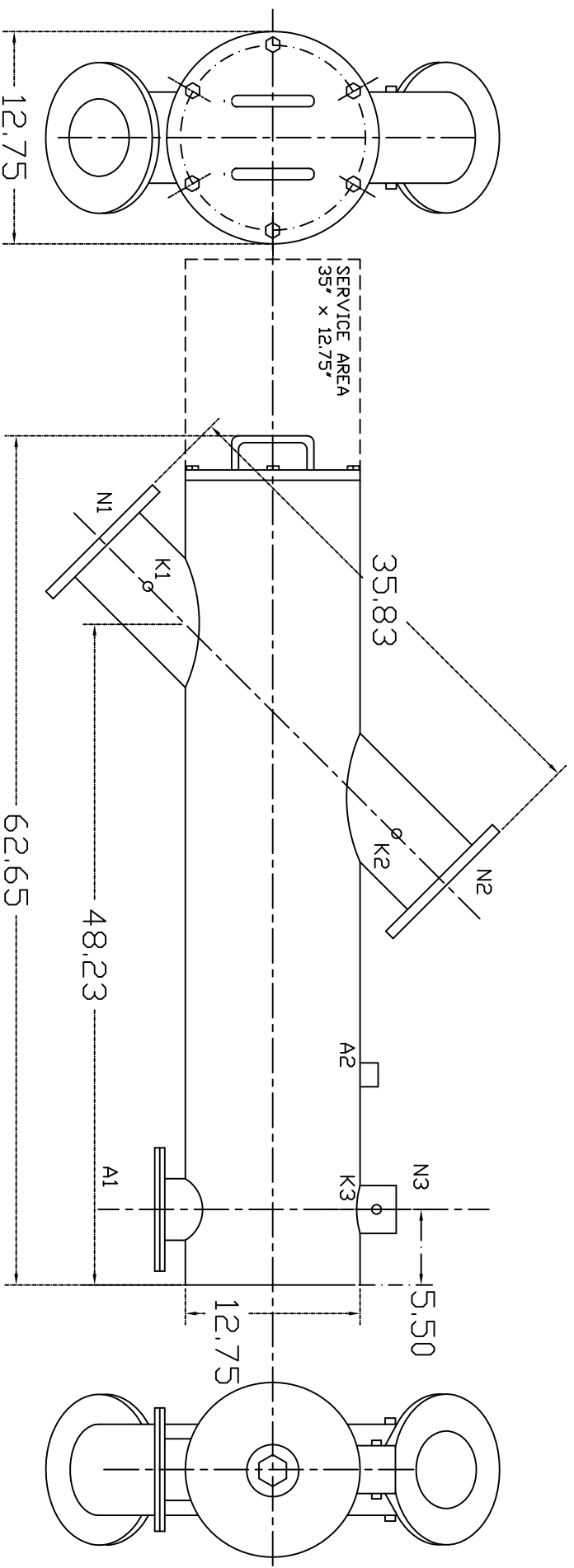


REVISIONS			DATE	APPROVED
ZONE	REV	DESCRIPTION	DATE	APPROVED



TECHNICAL DATA

Flow Rate Max. 500 gpm (150 cu m/hr.)
 Screen Size 5-- Micron
 Working Area 200 deg. F
 Working Temp. 150 PSI
 Empty Weight 230 lbs.
 Full Weight 419 lbs.

NOZZLE	CONNECTION	TYPE OF CONNECTION	SIZE	RATING
A1	Service Port	Flanged	3.5" ASA	150 lbs. F.F. w/ blind
A2	Pressure Release	Threaded	1" NPT	150 lbs. F.F.
K1	Hi. Press. Conn.	Threaded	1/4" NPT(2)	150 lbs. F.F.
K2	Low Press. Conn.	Threaded	1/4" NPT(2)	
K3	Hydraulic Conn.	Threaded	1/4" NPT(2)	
N1	Inlet	Flanged	4" ASA	
N2	Outlet	Flanged	4" ASA	
N3	Flushoutlet	Flanged	2" NPT	

UNLESS OTHERWISE SPECIFIED
 DIMENSIONS ARE IN INCHES
 DECIMALS TOLERANCES ANGULAR
 .xxx ± .05 ± 0.5 DEG.
 .xxx ± .01

DRAWN Daniel Stenberg DATE 6-8-05
 CHECKED
 DESIGN

AUTOMATIC FILTERS, INC.
 2672 S. LA CIENEGA BLVD.
 LDS ANGELES, CA 90034
 (310) 839-2828 FAX (310) 839-6878

TITLE
ABW4-L

SIZE A DWG NO. ABW4-L REV 0
 SCALE 1:11 SHEET OF