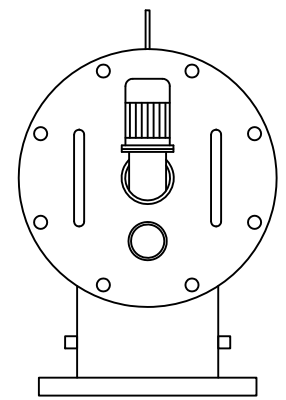
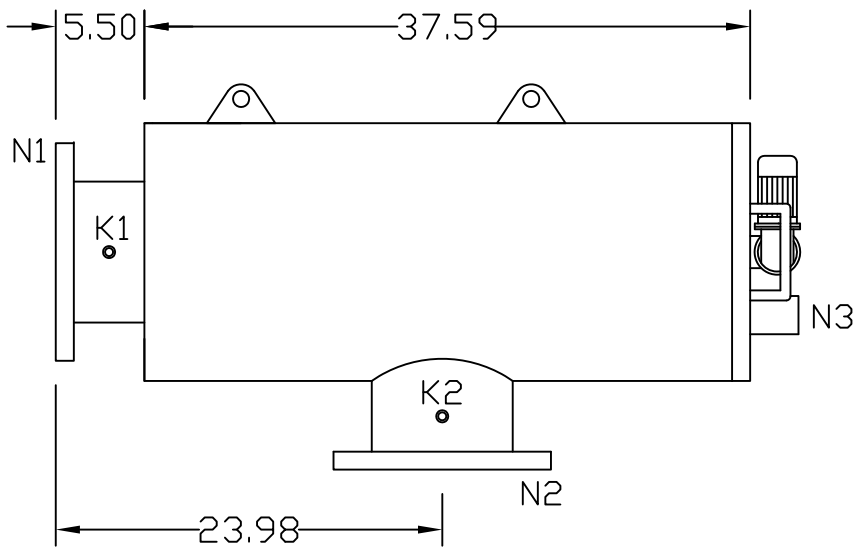
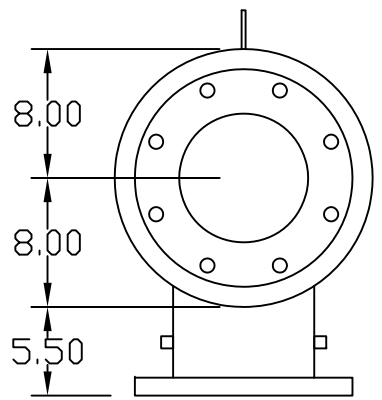


1 2 3 4 5 6 7 8

REVISIONS				
ZONE	REV	DESCRIPTION	DATE	APPROVED



TECHNICAL DATA

Flow Rate	Max. 1500 GPM
Screen Size	----- Micron
Screen Area	7.0 sq.ft
Design Temp.	160 deg. F
Design Pressure	150 PSI
Empty Weight	~400 lbs.
Full Weight	~700 lbs.

NOZZLE	CONNECTION	TYPE OF CONNECTION	SIZE	RATING
K1	Hi. Press. Conn.	Threaded	1/4" NPT(2)	150 lbs. F.F.
K2	Low Press. Conn.	Threaded	1/4" NPT (2)	
N1	Inlet	Flanged	8" ASA	
N2	Outlet	Flanged	8" ASA	
N3	Flushoutlet	Threaded	2" NPT	

UNLESS OTHERWISE SPECIFIED DIMENSIONS ARE IN INCHES TOLERANCES	
DECIMALS	ANGULAR
.XX ± .05	± 0.5 DEG.
.XXX ± .01	
DRAWN	DATE
S. PERKINSON	02/26/2014
CHECKED	
DESIGN	

AUTOMATIC FILTERS, INC. 2672 S. LA CIENEGA BLVD. LOS ANGELES, CA 90034 (310) 839-2828 FAX (310) 839-6878		
TITLE CSB 8-S Coarse Screen Brush Filter		
SIZE A	DWG NO. CSB-8S-CUT-01	REV N/A
NOT TO SCALE		SHEET 1 OF 1