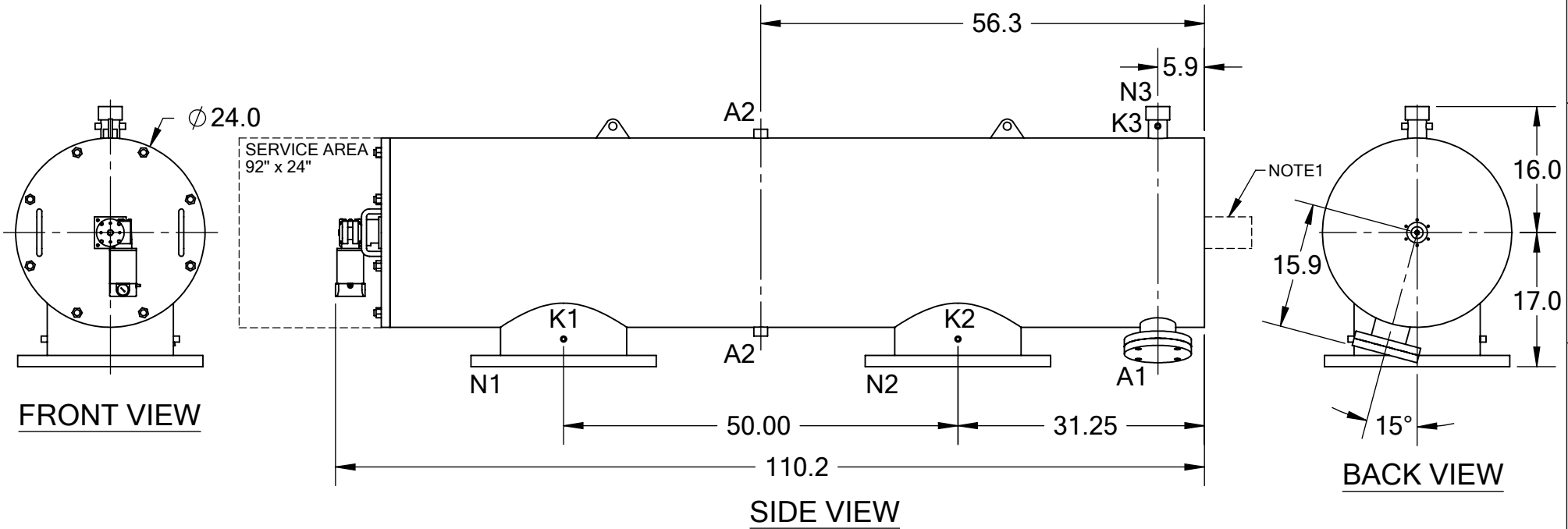



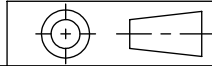
REVISIONS				
REV.	ZONE	DESCRIPTION	DATE	INITIAL
1	7D	ADDED NOTE 1.	04/21/15	M.S.



TECHNICAL DATA

FLOW RATE	MAX. 6,000 GPM (1,363 m ³ /hr)
SCREEN SIZE	____ MICRON
SCREEN AREA	16.0 SQ. FEET
DESIGN TEMPERATURE	160 °F
DESIGN PRESSURE	150 PSI
EMPTY WEIGHT	~1,400 LBS.
FULL WEIGHT	~2,100 LBS.

NOTES:
 1. PLEASE ALLOW ~20" ADDITIONAL TO INSTALL AND REMOVE THE PISTON ASSEMBLY TO THE BACKSIDE OF THE FILTER.

NOZZLE	CONNECTION	TYPE	SIZE	RATING	TOLERANCES (UNLESS OTHERWISE SPECIFIED)	 2672 S. LA CIENEGA BLVD. LOS ANGELES, CA 90034 MAIN: (310) 839-2828 FAX: (310) 839-6878
A1	SERVICE PORT	FLANGED	3.5" ASA	CL. #150 F.F. w/ Blind		
A2	PRESSURE RELEASE	THREADED	1" NPT(2)		ANGLE ±1° 	
K1	HIGH PRESSURE CONN.	THREADED	1/4" NPT(2)			
K2	LOW PRESSURE CONN.	THREADED	1/4" NPT(2)			
K3	HYDRAULIC CONN.	THREADED	1/4" NPT(2)			
N1	INLET	FLANGED	16" ASA	CLASS #150 F.F.S.O.		
N2	OUTLET	FLANGED	16" ASA	CLASS #150 F.F.S.O.		
N3	FLUSH OUTLET	THREADED	2" NPT			
					MATERIAL: SST	TITLE: LPF16-LP FILTER, CUT DRAWING
					DRAWN BY: S. PERKINSON	
					DATE: 04/24/12	DRAWING NUMBER
					SCALE: 1:19	REV
					SHEET: 1 OF 1	LPF-16LP-CUT-01
						1