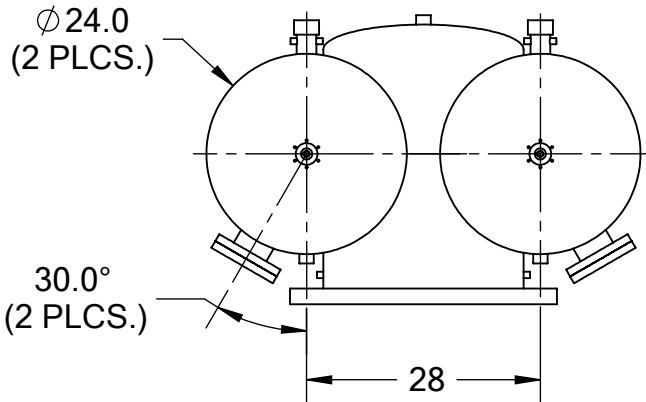
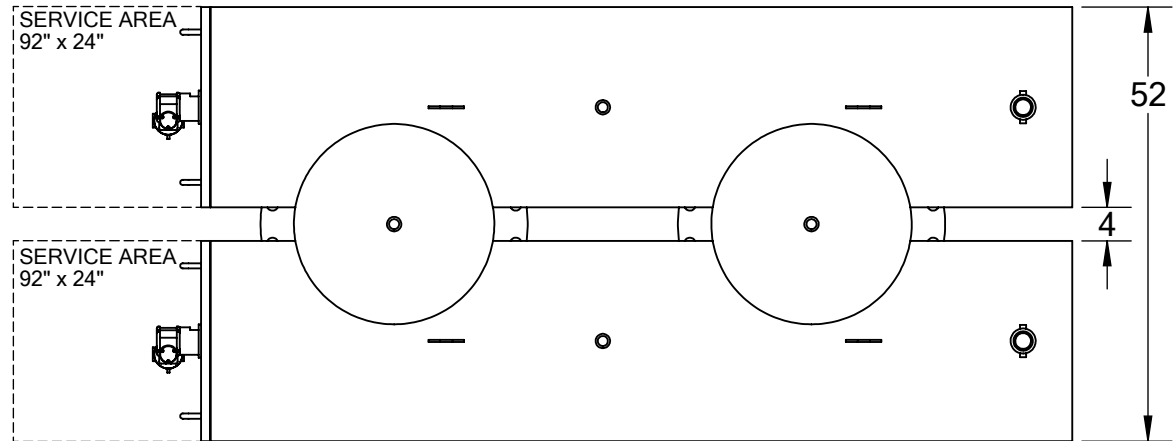


FRONT VIEW

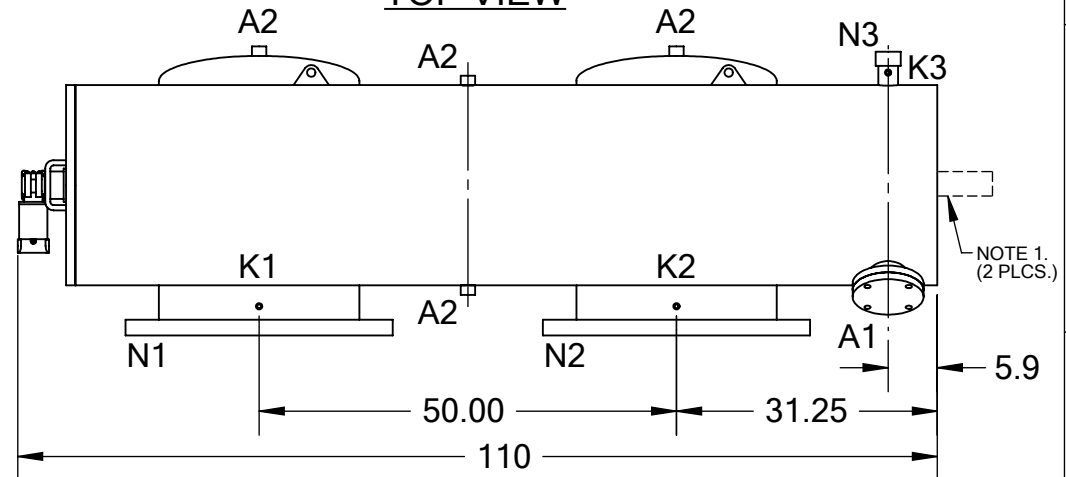


BACK VIEW

REVISIONS				
REV.	ZONE	DESCRIPTION	DATE	INITIAL



TOP VIEW



SIDE VIEW

NOTES:

- PLEASE ALLOW ~20" ADDITIONAL TO INSTALL AND REMOVE THE PISTON ASSEMBLY TO THE BACKSIDE OF THE FILTER.
- SOME DIMENSIONS MAY VARY SLIGHTLY UPON CONSTRUCTION.

TECHNICAL DATA

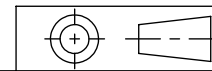
FLOW RATE	MAX. 12,000 GPM (2,725 m ³ /hr)
SCREEN SIZE	___ MICRON
SCREEN AREA	32.0 SQ. FT. (2 x 16.0 SQ. FT.)
DESIGN TEMPERATURE	160 °F
DESIGN PRESSURE	150 PSI
EMPTY WEIGHT	~3,000 LBS.
FULL WEIGHT	~6,500 LBS.

NOZZLE	CONNECTION	TYPE	SIZE	RATING
A1	SERVICE PORT	FLANGED	3.5" ASA(2)	CL. #150 F.F. w/ Blind
A2	PRESSURE RELEASE	THREADED	1" NPT(6)	
K1	HIGH PRESSURE CONN.	THREADED	1/4" NPT(2)	CLASS #150 F.F.S.O.
K2	LOW PRESSURE CONN.	THREADED	1/4" NPT(2)	
K3	HYDRAULIC CONN.	THREADED	1/4" NPT(4)	CLASS #150 F.F.S.O.
N1	INLET	FLANGED	24" ASA	
N2	OUTLET	FLANGED	24" ASA	
N3	FLUSH OUTLET	THREADED	2" NPT(2)	

TOLERANCES (UNLESS OTHERWISE SPECIFIED)

FRAC. ±1/16
 .X ±.1
 .XX ±.05
 .XXX ±.010

ANGLE ±1°



MATERIAL: SST

DRAWN BY: S. PERKINSON

DATE: 06/22/2016

SCALE: 1:23 **SHEET:** 1 OF 1

TEKLEEN
 Automatic Filters Inc.
 2672 S. LA CIENEGA BLVD.
 LOS ANGELES, CA 90034
 MAIN: (310) 839-2828
 FAX: (310) 839-6878

TITLE:
 LPF24-TLP FILTER,
 CUT DRAWING

DRAWING NUMBER LPF-24TLP-CUT-1
REV N/A