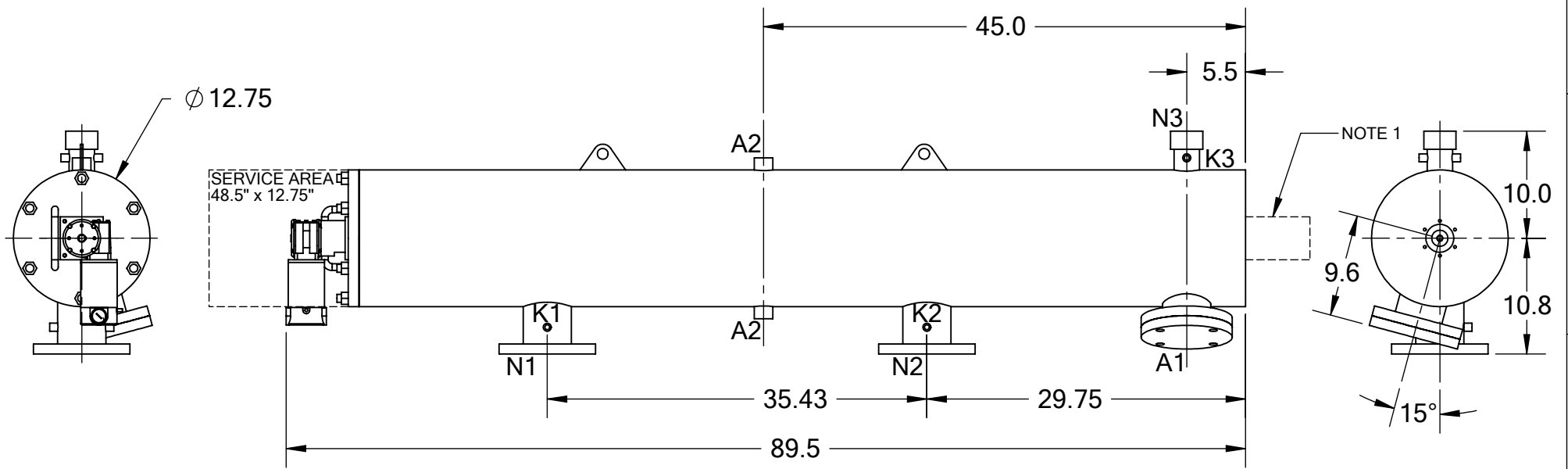


REVISIONS				
REV.	ZONE	DESCRIPTION	DATE	INITIAL
1	7D	ADDED NOTE 1.	04/16/15	M.S.



TECHNICAL DATA

FLOW RATE	MAX. 800 GPM (182 m ³ /hr)
SCREEN SIZE	____ MICRON
SCREEN AREA	8.0 SQ. FEET
DESIGN TEMPERATURE	160 °F
DESIGN PRESSURE	150 PSI
EMPTY WEIGHT	~325 LBS.
FULL WEIGHT	~625 LBS.

NOTES:

- PLEASE ALLOW ~20" ADDITIONAL TO INSTALL AND REMOVE THE PISTON ASSEMBLY TO THE BACKSIDE OF THE FILTER.

NOZZLE	CONNECTION	TYPE	SIZE	RATING	TOLERANCES (UNLESS OTHERWISE SPECIFIED)		 2672 S. LA CIENEGA BLVD. LOS ANGELES, CA 90034 MAIN: (310) 839-2828 FAX: (310) 839-6878
A1	SERVICE PORT	FLANGED	3.5" ASA	CL. #150 F.F. w/ Blind	FRAC. ±1/16	ANGLE ±1°	
A2	PRESSURE RELEASE	THREADED	1" NPT(2)		.X ±.1		
K1	HIGH PRESSURE CONN.	THREADED	1/4" NPT(2)	CLASS #150 F.F.S.O.	.XX ±.05	MATERIAL: SST DRAWN BY: S. PERKINSON DATE: 04/12/12 SCALE: 1:14	
K2	LOW PRESSURE CONN.	THREADED	1/4" NPT(2)		CLASS #150 F.F.S.O.		SHEET: 1 OF 1
K3	HYDRAULIC CONN.	THREADED	1/4" NPT(2)			TITLE: LPF4-XLP FILTER, CUT DRAWING	
N1	INLET	FLANGED	4" ASA			DRAWING NUMBER	REV
N2	OUTLET	FLANGED	4" ASA			LPF-4XLP-CUT-01	1
N3	FLUSH OUTLET	THREADED	2" NPT				