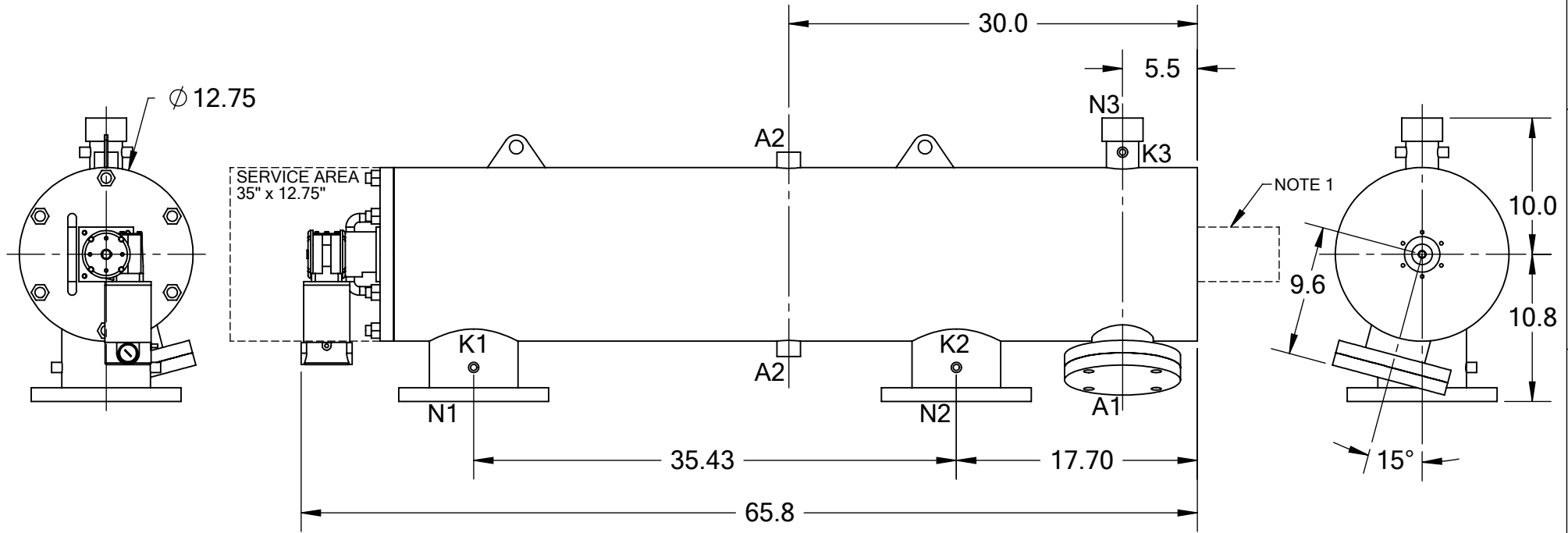


REVISIONS				
REV.	ZONE	DESCRIPTION	DATE	INITIAL
1	7D	ADDED NOTE 1.	04/16/15	M.S.



TECHNICAL DATA

FLOW RATE	MAX. 800 GPM (182 m ³ /hr)
SCREEN SIZE	____ MICRON
SCREEN AREA	5.0 SQ. FEET
DESIGN TEMPERATURE	160 °F
DESIGN PRESSURE	150 PSI
EMPTY WEIGHT	~300 LBS.
FULL WEIGHT	~650 LBS.

NOTES:

- PLEASE ALLOW ~20" ADDITIONAL TO INSTALL AND REMOVE THE PISTON ASSEMBLY TO THE BACKSIDE OF THE FILTER.

NOZZLE	CONNECTION	TYPE	SIZE	RATING	TOLERANCES (UNLESS OTHERWISE SPECIFIED)		 2672 S. LA CIENEGA BLVD. LOS ANGELES, CA 90034 MAIN: (310) 839-2828 FAX: (310) 839-6878
A1	SERVICE PORT	FLANGED	3.5" ASA	CL. #150 F.F. w/ Blind	FRAC. ±1/16	ANGLE ±1°	
A2	PRESSURE RELEASE	THREADED	1" NPT(2)		.X ±.1		
K1	HIGH PRESSURE CONN.	THREADED	1/4" NPT(2)		.XX ±.05		MATERIAL: SST TITLE: LPF6-LP FILTER, CUT DRAWING
K2	LOW PRESSURE CONN.	THREADED	1/4" NPT(2)		.XXX ±.010		
K3	HYDRAULIC CONN.	THREADED	1/4" NPT(2)				DRAWN BY: S. PERKINSON DATE: 04/11/12 DRAWING NUMBER
N1	INLET	FLANGED	6" ASA	CLASS #150 F.F.S.O.			
N2	OUTLET	FLANGED	6" ASA	CLASS #150 F.F.S.O.			REV LPF-6LP-CUT-01 1
N3	FLUSH OUTLET	THREADED	2" NPT				
					SCALE: 1:11	SHEET: 1 OF 1	