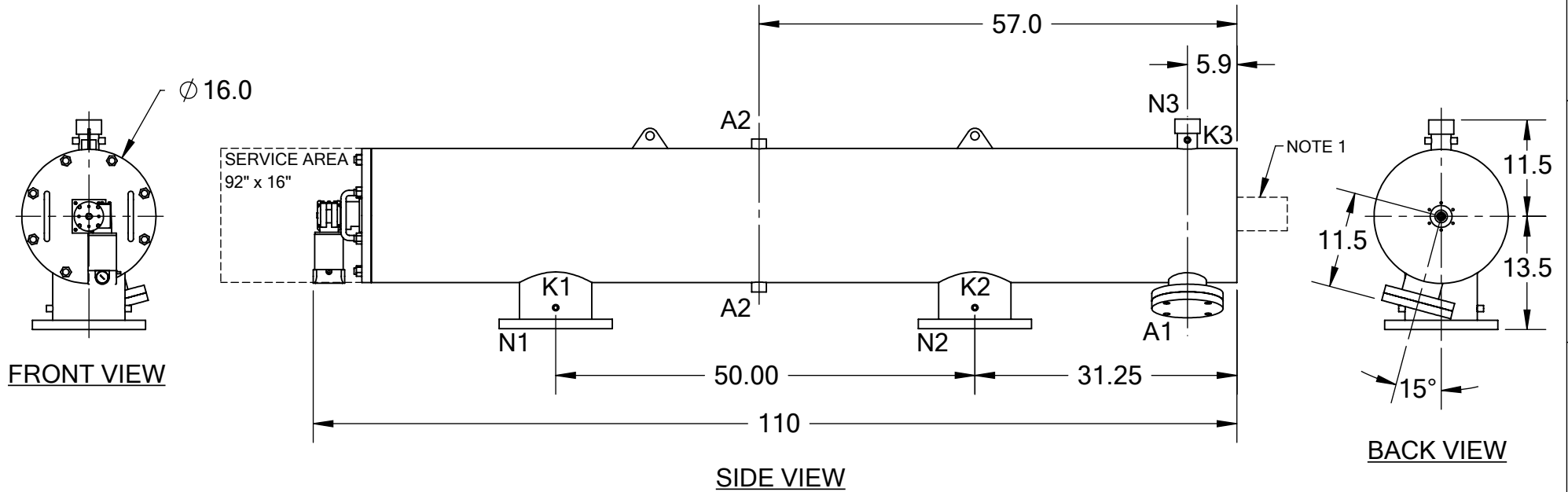


REVISIONS				
REV.	ZONE	DESCRIPTION	DATE	INITIAL




TECHNICAL DATA

FLOW RATE	MAX. 2,500 GPM (568 m ³ /hr)
SCREEN SIZE	____ MICRON
SCREEN AREA	11.0 SQ. FEET
DESIGN TEMPERATURE	160 °F
DESIGN PRESSURE	150 PSI
EMPTY WEIGHT	~620 LBS.
FULL WEIGHT	~1,340 LBS.

- NOTES:**
- PLEASE ALLOW ~20" ADDITIONAL TO INSTALL AND REMOVE THE PISTON ASSEMBLY TO THE BACKSIDE OF THE FILTER.
 - SERVICE AREAS NOT TO SCALE.

UNAUTHORIZED USE, MANUFACTURE OR REPRODUCTION IN WHOLE OR IN PART IS PROHIBITED. DRAWING, DESIGN AND OTHER DISCLOSURES PROPERTY OF TEKLEEN AUTOMATIC FILTERS, INC.

NOZZLE	CONNECTION	TYPE	SIZE	RATING	TOLERANCES (UNLESS OTHERWISE SPECIFIED)	 TEKLEEN <i>Automatic Filters Inc.</i> 2672 S. LA CIENEGA BLVD. LOS ANGELES, CA 90034 MAIN: (310) 839-2828 FAX: (310) 839-6878
A1	SERVICE PORT	FLANGED	3.5" ASA	CL. #150 F.F. w/ Blind		
A2	PRESSURE RELEASE	THREADED	1" NPT(2)	CLASS #150 F.F.S.O. CLASS #150 F.F.S.O.	MATERIAL: SST	TITLE: LPF8-SLP FILTER, CUT DRAWING
K1	HIGH PRESSURE CONN.	THREADED	1/4" NPT(2)		DRAWN BY: S. PERKINSON	
K2	LOW PRESSURE CONN.	THREADED	1/4" NPT(2)	DATE: 03/30/2018	DRAWING NUMBER	REV LPF-8SLP-CUT-01 N/A
K3	HYDRAULIC CONN.	THREADED	1/4" NPT(2)	SCALE: 1:18 SHEET: 1 OF 1		
N1	INLET	FLANGED	8" ASA			
N2	OUTLET	FLANGED	8" ASA			
N3	FLUSH OUTLET	THREADED	2" NPT			