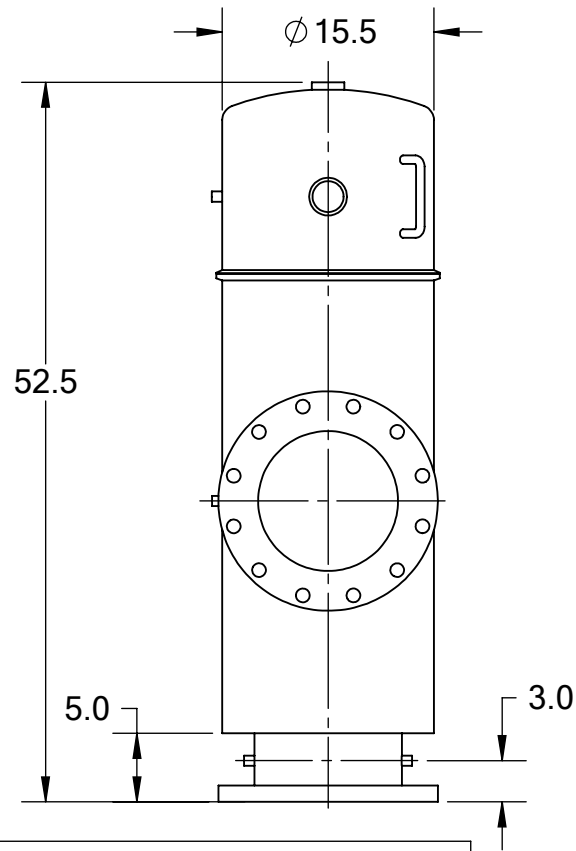
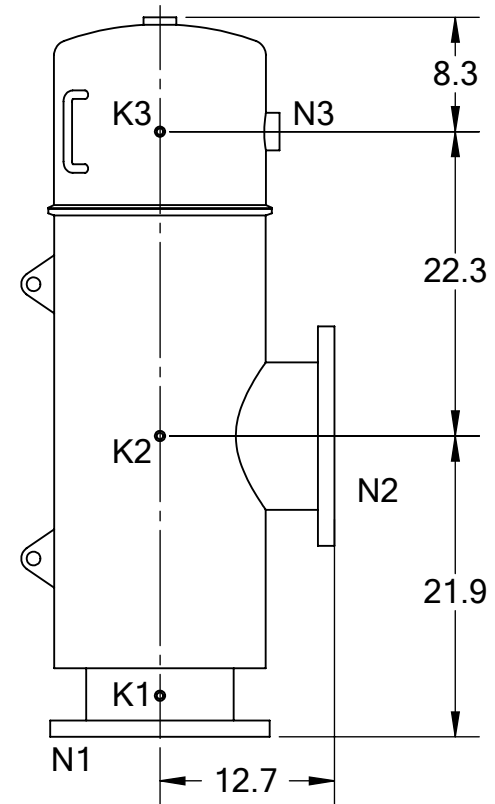


**FRONT VIEW**



**REVISIONS**

REV.	ZONE	DESCRIPTION	DATE	INITIAL
1	1B,2B,4C	CHANGED "MAXIMUM" TO "DESIGN" & TEMPERATURE FROM 200°F TO 160°F IN TECHNICAL DATA TABLE. CHANGED K1 HEIGHT FROM 2.5" TO 3.0".	08/07/13	S.P.



**SIDE VIEW**

**TECHNICAL DATA**

FLOW RATE	MAX. 1,700 GPM (386 m <sup>3</sup> /hr)
SCREEN SIZE	___ MICRON
SCREEN AREA	7.0 SQ. FEET
DESIGN TEMPERATURE	160 °F
DESIGN PRESSURE	150 PSI
EMPTY WEIGHT	~300 LBS.
FULL WEIGHT	~700 LBS.

NOZZLE	CONNECTION	TYPE	SIZE	RATING
K1	HIGH PRESSURE CONN.	THREADED	1/4" NPT(2)	CLASS #150 F.F.S.O.
K2	LOW PRESSURE CONN.	THREADED	1/4" NPT	
K3	HYDRAULIC CONN.	THREADED	1/4" NPT	
N1	INLET	FLANGED	10" ASA	
N2	OUTLET	FLANGED	10" ASA	
N3	FLUSH OUTLET	THREADED	2" NPT	CLASS #150 F.F.S.O.

**TOLERANCES (UNLESS OTHERWISE SPECIFIED)**

FRAC. ±1/16	ANGLE ±1°
.X ±.1	
.XX ±.05	
.XXX ±.010	

<b>MATERIAL:</b> SST
<b>DRAWN BY:</b> S. PERKINSON
<b>DATE:</b> 11/14/11
<b>SCALE:</b> 1:14
<b>SHEET:</b> 1 OF 1

**TEKLEEN**  
Automatic Filters Inc.  
2672 S. LA CIENEGA BLVD.  
LOS ANGELES, CA 90034  
MAIN: (310) 839-2828  
FAX: (310) 839-6878

<b>TITLE:</b> MTF10 FILTER, CUT DRAWING	
<b>DRAWING NUMBER</b>	<b>REV</b>
MTF-10-CUT-01	1