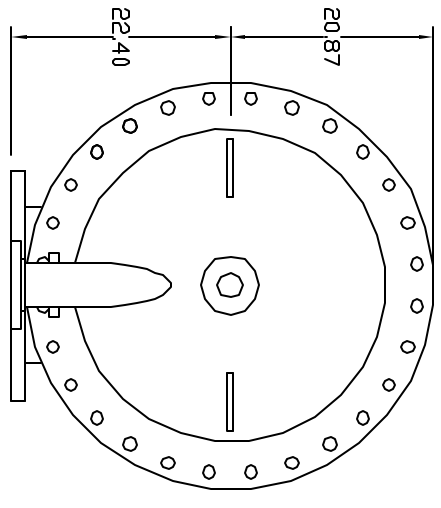
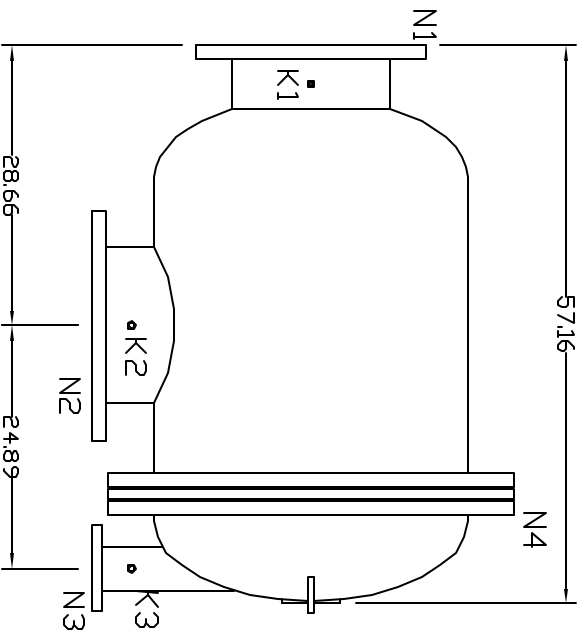
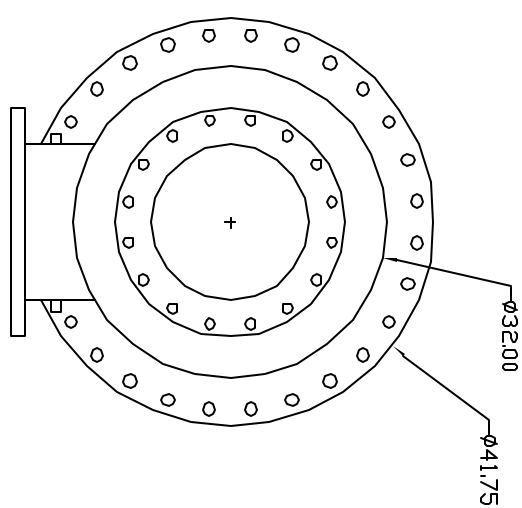


1	2	3	4	5	6	7	8
REVISIONS				REVISED			
ZONE	REV	DESCRIPTION	DATE	APPROVED			



TECHNICAL DATA

Flow Rate Max. 6,000 GPM
 Screen Size --- Micron
 Screen Area 16.0 sq.ft
 Working Temp. 200 deg. F
 Working Pressure 200 PSI
 Empty Weight 1000 lbs.
 Full Weight 2200 lbs.

NOZZLE	CONNECTION	TYPE OF CONNECTION	SIZE	RATING
K1	Hi. Press. Conn.	Threaded	1/4" NPT(2)	150 lbs. F.F.
K2	Low Press. Conn.	Threaded	1/4" NPT(2)	150 lbs. F.F.
K3	Hydraulic Conn.	Threaded	1/4" NPT(2)	150 lbs. F.F.
N1	Inlet	Flanged	16" ASA	150 lbs. F.F.
N2	Outlet	Flanged	16" ASA	150 lbs. F.F.
N3	Flushoutlet	Flanged	4" ASA	150 lbs. F.F.
N4	Connection Flange	Flanged	32" AWWA	150 lbs. F.F.

UNLESS OTHERWISE SPECIFIED
 DIMENSIONS ARE IN INCHES
 DECIMALS TOLERANCES
 ANGULAR ± 0.5 DEG
 XXX ± .01

DRAWN Daniel Stenberg
 CHECKED
 DESIGN

AUTOMATIC FILTERS, INC.
 2672 S. LA CIENEGA BLVD.
 LOS ANGELES, CA 90034
 (310) 839-2828 FAX (310) 839-6878

TITLE
 MTF 16-L
 Filter

SIZE	DWG NO	REV
A	MTF16-L	0

NOT TO SCALE SHEET OF