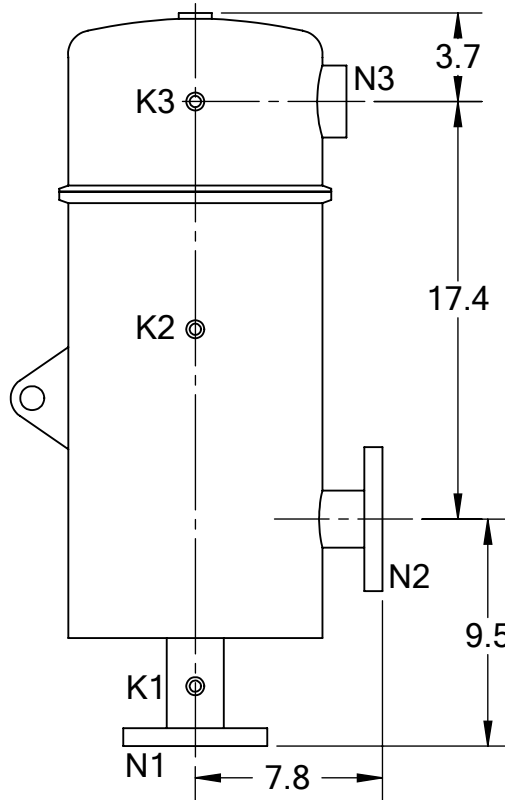


FRONT VIEW



SIDE VIEW

REVISIONS				
REV.	ZONE	DESCRIPTION	DATE	INITIAL
1	1B,2B,3A,6D	CHANGED "WORKING" TO "DESIGN" & TEMPERATURE FROM 200°F TO 160°F IN TECHNICAL DATA TABLE. ADDED LIFTING LUG, UPDATED CONNECTION TABLE TO INCLUDE THREADS IN FLANGE.	12/17/12	S.P.
2	1C	CHANGED INLET HEIGHT FROM 2.5" TO 4.5".	01/29/14	S.P.

TECHNICAL DATA

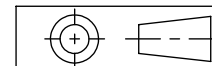
FLOW RATE	MAX. 350 GPM (80 m ³ /hr)
SCREEN SIZE	___ MICRON
SCREEN AREA	3.0 SQ. FEET
DESIGN TEMPERATURE	160 °F
DESIGN PRESSURE	150 PSI
EMPTY WEIGHT	~100 LBS.
FULL WEIGHT	~200 LBS.

NOZZLE	CONNECTION	TYPE	SIZE	RATING
K1	HIGH PRESSURE CONN.	THREADED	1/4" NPT(2)	
K2	LOW PRESSURE CONN.	THREADED	1/4" NPT	
K3	HYDRAULIC CONN.	THREADED	1/4" NPT	
N1	INLET	FLANGED/ THREADED	2" ASA WITH 2" NPT	CLASS #150 F.F.S.O.
N2	OUTLET	FLANGED/ THREADED	2" ASA WITH 2" NPT	CLASS #150 F.F.S.O.
N3	FLUSH OUTLET	THREADED	2" NPT	

TOLERANCES (UNLESS OTHERWISE SPECIFIED)

FRAC. ±1/16
.X ±.1
.XX ±.05
.XXX ±.010

ANGLE ±1°



MATERIAL: SST

DRAWN BY: S. PERKINSON

DATE: 11/11/11

SCALE: 1:8

SHEET: 1 OF 1

TEKLEEN
Automatic Filters Inc.
2672 S. LA CIENEGA BLVD.
LOS ANGELES, CA 90034
MAIN: (310) 839-2828
FAX: (310) 839-6878

TITLE:
MTF2-XL FILTER,
CUT DRAWING

DRAWING NUMBER MTF-2XL-CUT-01	REV 2
---	-----------------