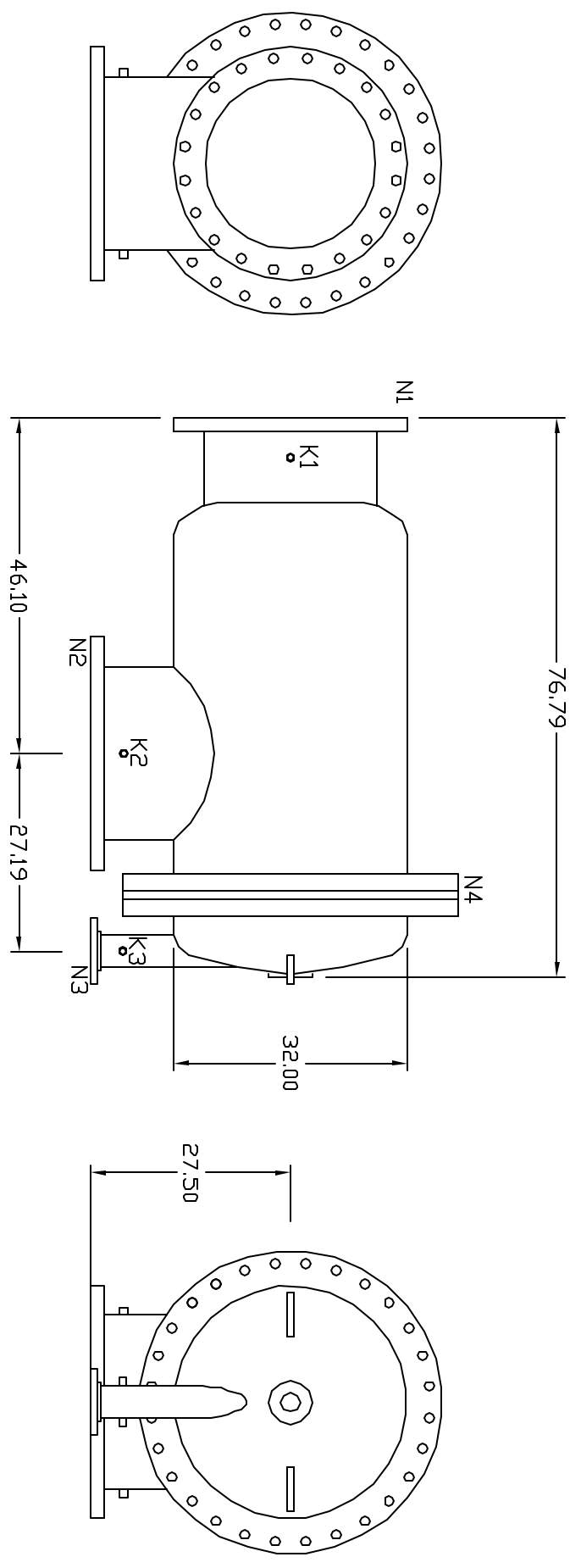


| REVOLUTIONS |     | DESCRIPTION | DATE | APPROVED |
|-------------|-----|-------------|------|----------|
| ZONE        | REV |             |      |          |
|             |     |             |      |          |



**TECHNICAL DATA**

|                  |                 |
|------------------|-----------------|
| Flow Rate        | Max. 10,000 GPM |
| Screen Size      | — Micron        |
| Screen Area      | 240 sq.ft       |
| Working Temp.    | 200 deg. F      |
| Working Pressure | 200 PSI         |
| Empty Weight     | 2000 lbs.       |
| Full Weight      | 4200 lbs.       |

| NOZZLE | CONNECTION        | TYPE OF CONNECTION | SIZE        | RATING        |
|--------|-------------------|--------------------|-------------|---------------|
| K1     | Hi. Press. Conn.  | Threaded           | 1/4" NPT(2) | 150 lbs. F.F. |
| K2     | Low Press. Conn.  | Threaded           | 1/4" NPT(2) | 150 lbs. F.F. |
| K3     | Hydraulic Conn.   | Threaded           | 1/4" NPT(2) | 150 lbs. F.F. |
| N1     | Inlet             | Flanged            | 24" ANSI    | 150 lbs. F.F. |
| N2     | Outlet            | Threaded           | 24" ANSI    | 150 lbs. F.F. |
| N3     | Flushoutlet       | Threaded           | 4" ANSI     | 150 lbs. F.F. |
| N4     | Connection Flange | Flanged            | 32" AWWA    | 150 lbs. F.F. |

UNLESS OTHERWISE SPECIFIED  
 DIMENSIONS ARE IN INCHES  
 DECIMALS TOLERANCES  
 XX ± .05 ANGULAR ± 0.5 DEGS  
 XXX ± .01

**AUTOMATIC FILTERS, INC.**  
 2672 S. LA CIENEGA BLVD.  
 LOS ANGELES, CA 90034  
 (310) 839-2828 FAX (310) 839-6878

|                 |        |              |
|-----------------|--------|--------------|
| DRAWN           | DATE   | TITLE        |
| Daniel Stenberg | 3-3-09 |              |
| CHECKED         |        |              |
| DESIGN          |        | SIZE         |
|                 |        | A            |
|                 |        | DIVIS NO     |
|                 |        | MTF24-S      |
|                 |        | NOT TO SCALE |
|                 |        | SHEET        |
|                 |        | OF           |

A

B

C

D

E