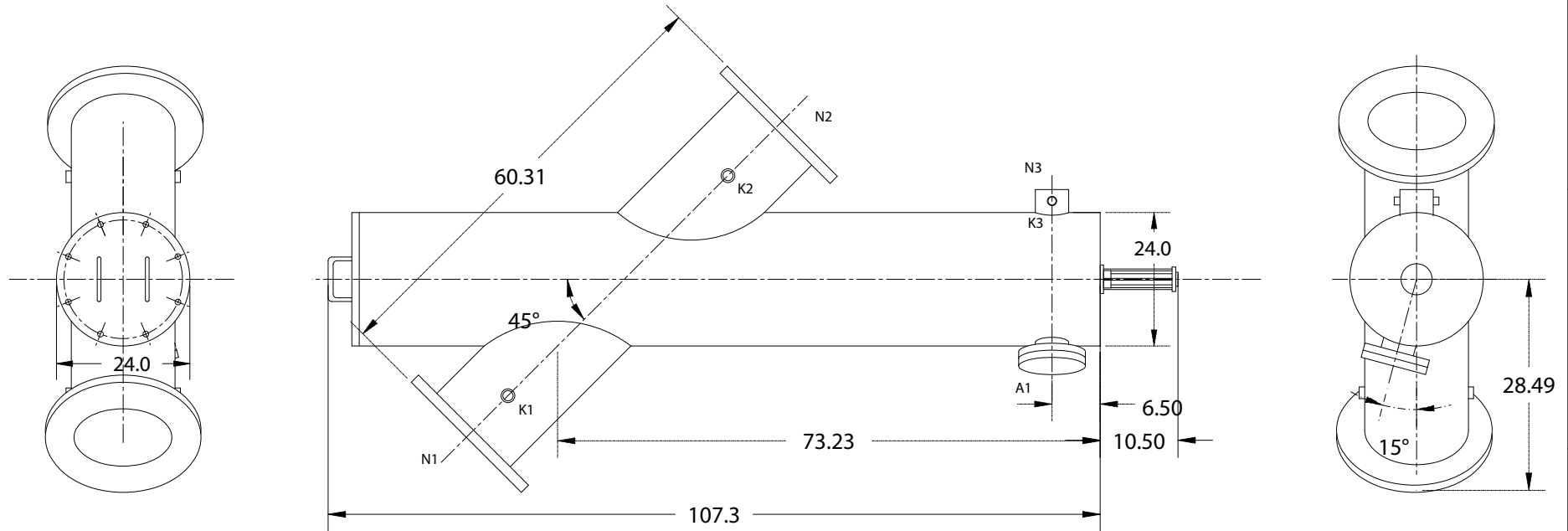


REVISIONS				
ZONE	REV	DESCRIPTION	DATE	APPROVED



TECHNICAL DATA

Flow Rate	Max. 6,000 GPM
Screen Size	___ Micron
Screen Area	16.0 Sq.Ft.
Working Temp.	200 deg. F
Working Pressure	150 PSI
Empty Weight	1000 lbs.
Full Weight	2600 lbs.

NOZZLE	CONNECTION	TYPE OF CONNECTION	SIZE	RATING
A1	Service Port	Flanged	3.5" ASA	150 lbs. F.F. w/Blind
K1	Hi. Press. Conn.	Threaded	1/4" NPT(2)	
K2	Low Press. Conn.	Threaded	1/4" NPT(2)	
K3	Hydraulic Conn.	Threaded	1/4" NPT(2)	
N1	Inlet	Flanged	16" ASA	150 lbs. F.F.
N2	Outlet	Flanged	16" ASA	150 lbs. F.F.
N3	Flushoutlet	Threaded	2" NPT	

UNLESS OTHERWISE SPECIFIED
DIMENSIONS ARE IN INCHES
TOLERANCES
DECIMALS ANGULAR
.XX +.05 ±0.5 DEG.
.XXX +.01

AUTOMATIC FILTERS, INC.
2672 S. LA CIENEGA BLVD.
LOS ANGELES, CA 90034
(310) 839-2828 FAX (310) 839-6878

TITLE			
ABW16-L			
DRAWN	DATE	SIZE	REV
Daniel Stenberg	6-20-05	A	0
CHECKED		DWG NO.	
DESIGN		ABW16-L	
SCALE 1:20		SHEET OF	