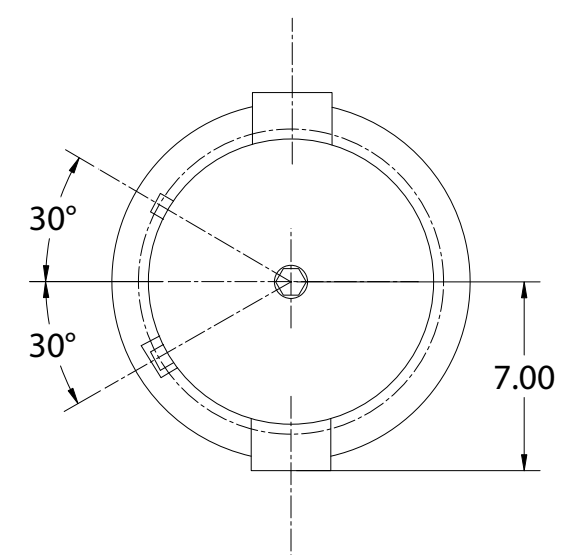
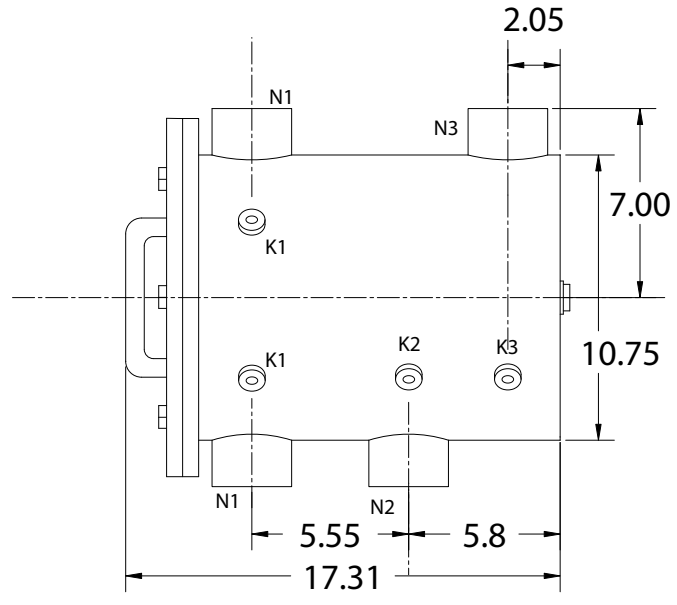
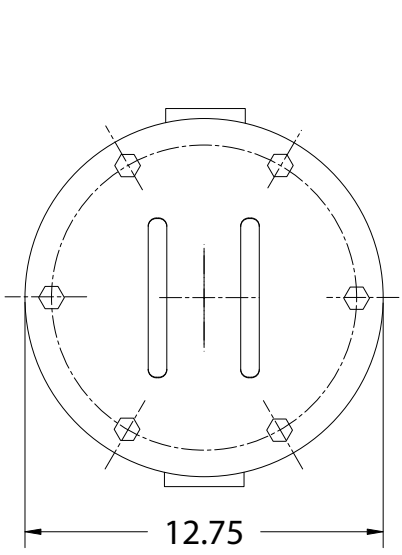


| REVISIONS |     |             |      |          |
|-----------|-----|-------------|------|----------|
| ZONE      | REV | DESCRIPTION | DATE | APPROVED |
|           |     |             |      |          |



**TECHNICAL DATA**

|                  |              |
|------------------|--------------|
| Flow Rate        | Max. 130 gpm |
| Screen Size      | ___ Micron   |
| Screen Area      | 0.6 sq.ft.   |
| Working Temp.    | 200 deg. F   |
| Working Pressure | 150 PSI      |
| Empty Weight     | 120 lbs.     |
| Full Weight      | 200 lbs.     |

| NOZZLE | CONNECTION       | TYPE OF CONNECTION | SIZE        |
|--------|------------------|--------------------|-------------|
| K1     | Hi. Press. Conn. | Threaded           | 1/4" NPT(2) |
| K2     | Low Press. Conn. | Threaded           | 1/4" NPT    |
| K3     | Hydraulic Conn.  | Threaded           | 1/4" NPT    |
| N1     | Inlet            | Threaded           | 2" NPT(2)   |
| N2     | Outlet           | Threaded           | 2" NPT      |
| N3     | Flushoutlet      | Threaded           | 2" NPT      |

|  |                 |  |                    |          |
|--|-----------------|--|--------------------|----------|
| UNLESS OTHERWISE SPECIFIED<br>DIMENSIONS ARE IN INCHES<br>TOLERANCES<br>DECIMALS ANGULAR<br>.XX + .05 ± 0.5 DEG.<br>.XXX + .01 |                 | <b>AUTOMATIC FILTERS, INC.</b><br>2672 S. LA CIENEGA BLVD.<br>LOS ANGELES, CA 90034<br>(310) 839-2828 FAX (310) 839-6878 |                    |          |
|  |                 | TITLE<br><h2 style="text-align: center;">ABW2-LP</h2>  |                    |          |
| DRAWN<br>Daniel Stenberg   | DATE<br>6-20-05 | SIZE<br>A  | DWG NO.<br>ABW2-LP | REV<br>0 |
| DESIGN   |                 | SCALE 1:6  |                    | SHEET OF |