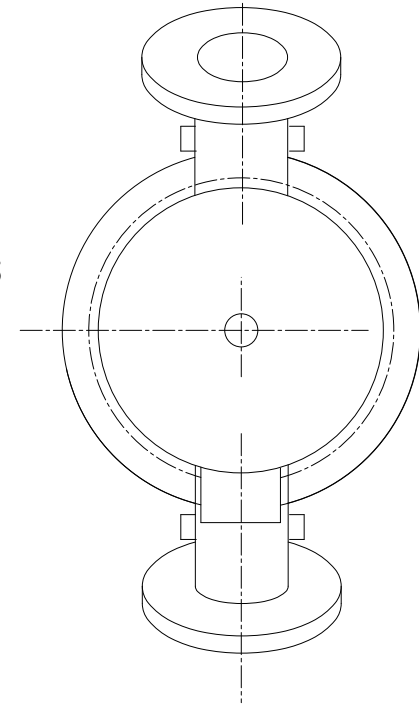
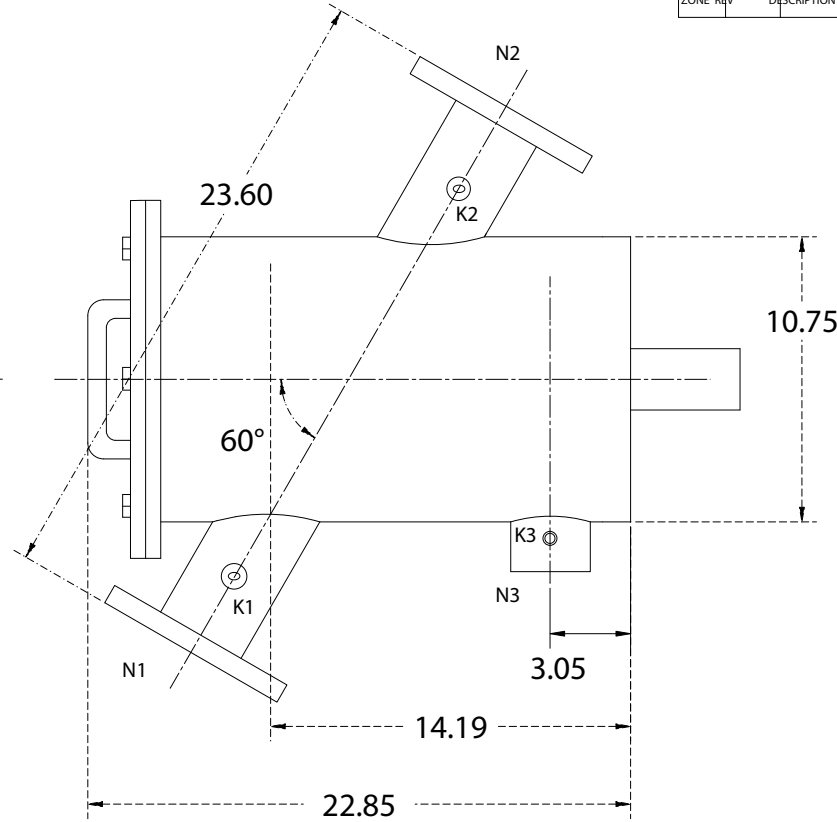
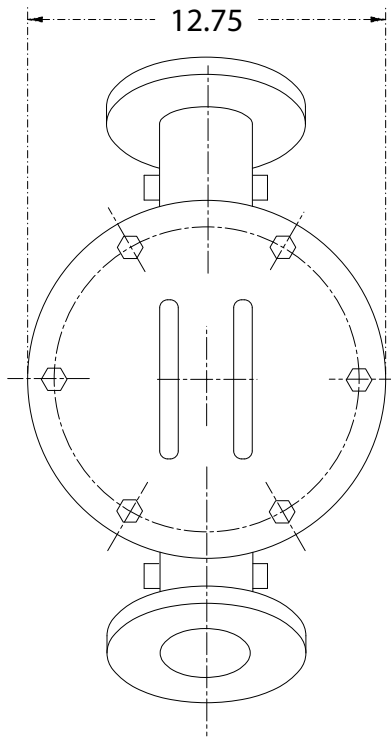


REVISIONS				
ZONE	REV	DESCRIPTION	DATE	APPROVED



NOZZLE	CONNECTION	TYPE OF CONNECTION	SIZE	RATING
K1	Hi. Press. Conn.	Threaded	1/4" NPT(2)	150 lbs. F.F.
K2	Low Press. Conn.	Threaded	1/4" NPT(2)	
K3	Hydraulic Conn.	Threaded	1/4" NPT(2)	
N1	Inlet	Flanged	3" ASA	150 lbs. F.F.
N2	Outlet	Flanged	3" ASA	
N3	Flushoutlet	Threaded	2" NPT	

<small>UNLESS OTHERWISE SPECIFIED DIMENSIONS ARE IN INCHES TOLERANCES DECIMALS ANGULAR .XX + .05 ± 0.5 DEG. .XXX + .01</small>		<b>AUTOMATIC FILTERS, INC.</b> 2672 S. LA CIENEGA BLVD. LOS ANGELES, CA 90034 (310) 839-2828 FAX (310) 839-6878		
		TITLE <h3>ABW3-1IN FLUSH</h3>		
DRAWN <b>Daniel Stenberg</b>	DATE 6-20-05	SIZE <b>A</b>	DWG NO. <b>ABW3-1IN FLUSH</b>	REV <b>0</b>
CHECKED	DESIGN	SCALE 1:6		SHEET OF

E  
D  
C  
B  
A