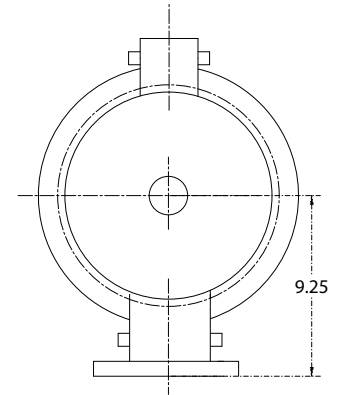
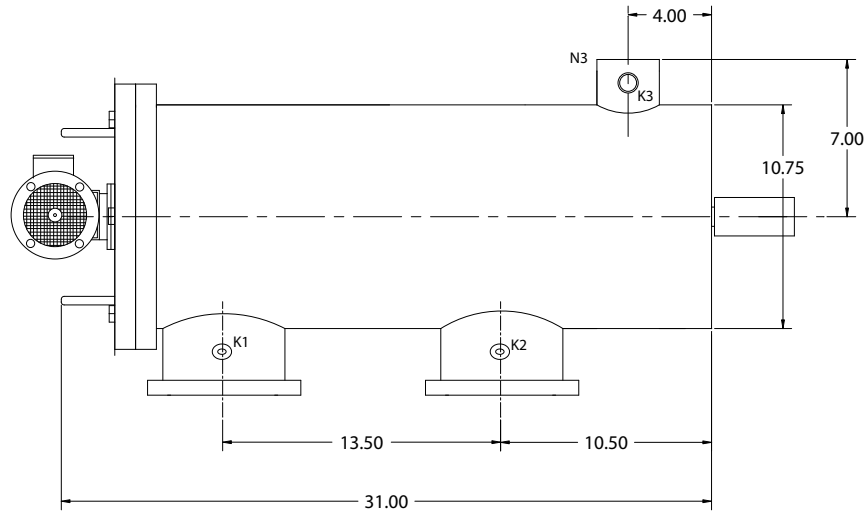
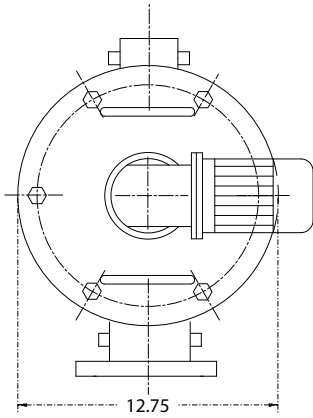


REVISIONS				
ZONE	REV	DESCRIPTION	DATE	APPROVED



NOZZLE	CONNECTION	TYPE OF CONNECTION	SIZE	RATING
K1	Hi. Press. Conn.	Threaded	1/4" NPT(2)	150 lbs. F.F.
K2	Low Press. Conn.	Threaded	1/4" NPT(2)	
K3	Hydraulic Conn.	Threaded	1/4" NPT	
N1	Inlet	Flanged	4" ASA	
N2	Outlet	Flanged	4" ASA	
N3	Flushoutlet	Threaded	2" NPT	150 lbs. F.F.

UNLESS OTHERWISE SPECIFIED DIMENSIONS ARE IN INCHES TOLERANCES DECIMALS ANGULAR .XX +.05 ± 0.5 DEG. .XXX +.01		AUTOMATIC FILTERS, INC. 2672 S. LA CIENEGA BLVD. LOS ANGELES, CA 90034 (310) 839-2828 FAX (310) 839-6878	
DRAWN Daniel Stenberg		DATE 6-20-05	
CHECKED		TITLE LPF4-P 1" F.V.	
DESIGN		SIZE A	DWG NO. LPF4-P 1"F.V.
SCALE 1:6		REV 0	SHEET OF