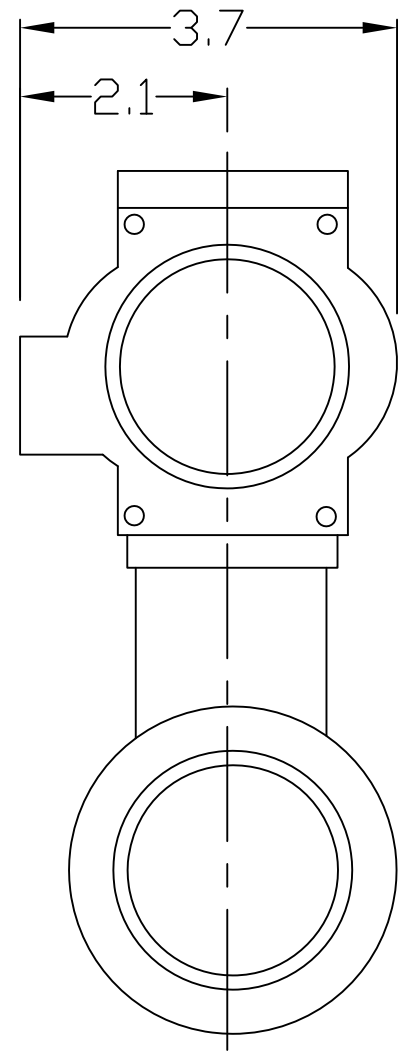
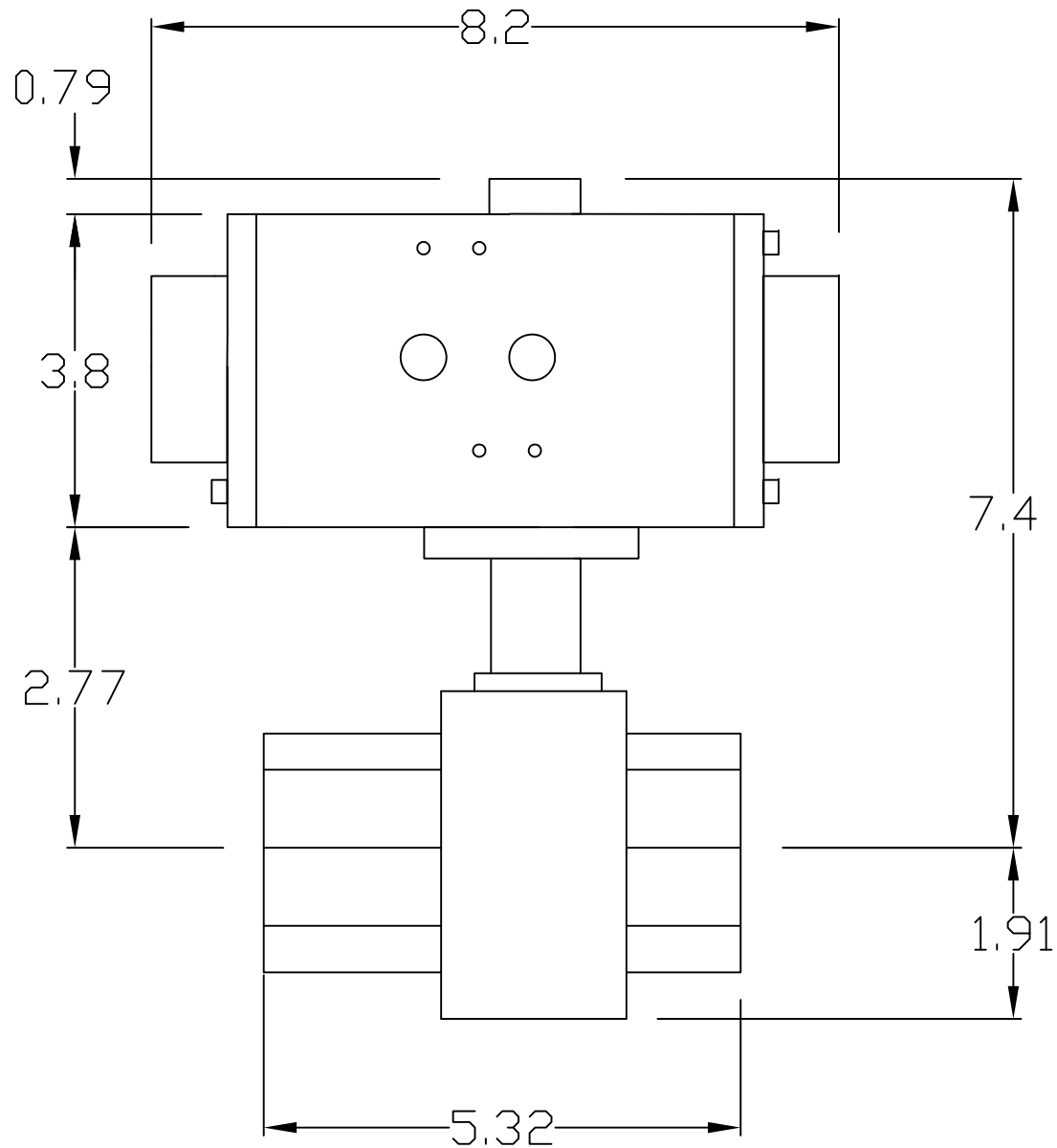


1 2 3 4 5 6 7 8

REVISIONS				
REV	ZONE	DESCRIPTION	DATE	APPROVED



TECHNICAL DATA	
CONNECTION	2" NPT
FLOW COEFFICIENT (Cv)	315
TEMPERATURE RANGE	-4°F-(185)°F (STANDARD)
MAX. PRESSURE	115 PSI
WEIGHT	14 LBS.
OPERATING TORQUE	150 IN.-LB.

UNLESS OTHERWISE SPECIFIED DIMENSIONS ARE IN INCHES		AUTOMATIC FILTERS, INC. 2672 S. La Cienega Blvd. Los Angeles, CA 90034 (310) 839-2828 FAX (310) 839-6878	
TOLERANCES		TITLE	
DECIMALS	ANGULAR	2" PNEUMATIC BALL VALVE	
.XX ± .05	± 0.5 DEG.	SIZE	REV
.XXX ± .01		A	N/A
DRAWN	DATE	NOT TO SCALE	
S. PERKINSON	11/14/12	SHEET 1 OF 1	
CHECKED			
DESIGN			

E
D
C
B
A