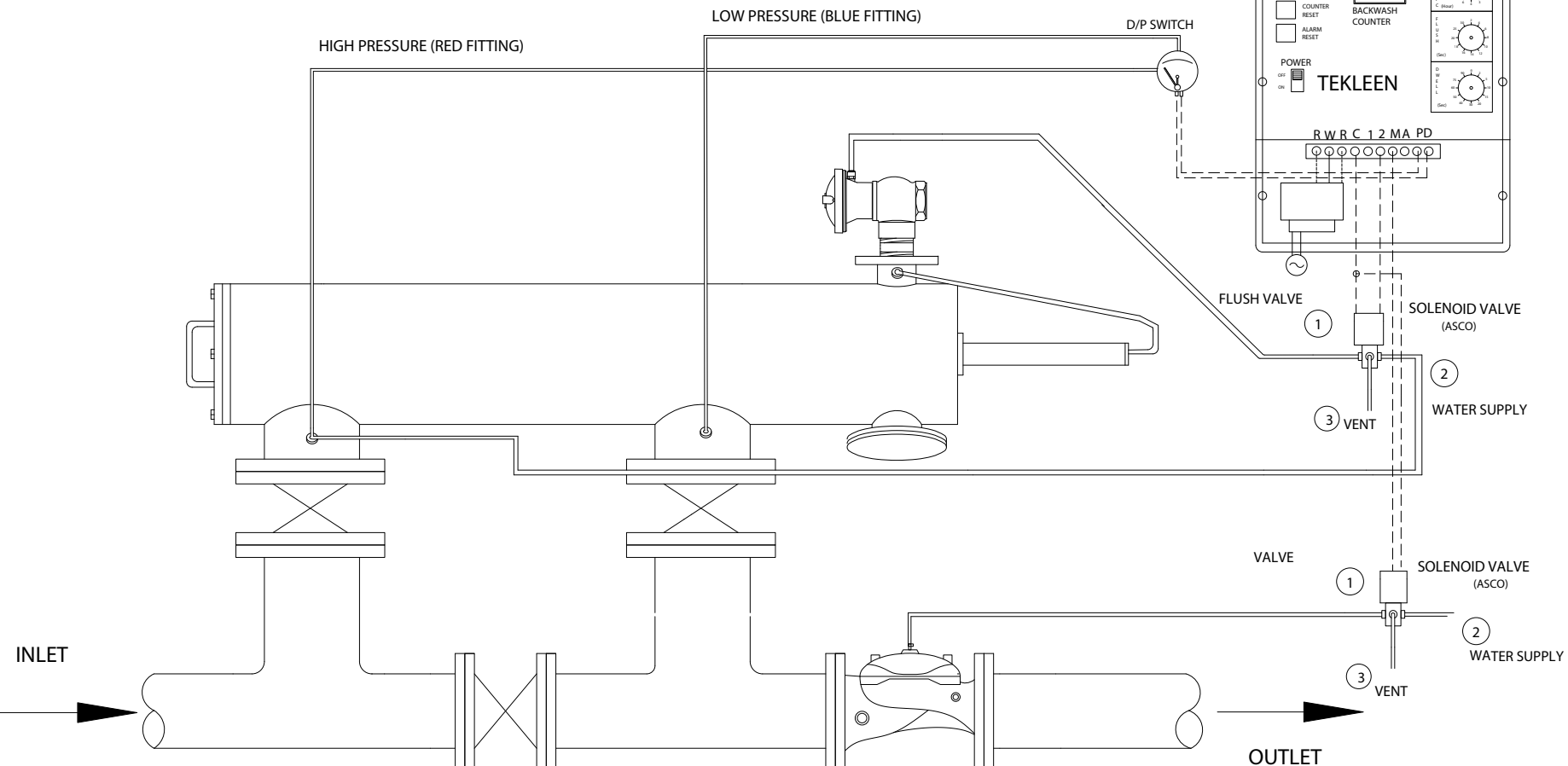
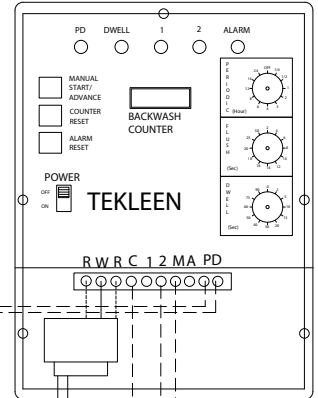


1 2 3 4 5 6 7 8

REVISIONS			
ZONE REV	DESCRIPTION	DATE	APPROVED

**GB6 ELECTRIC CONTROLLER**



UNLESS OTHERWISE SPECIFIED DIMENSIONS ARE IN INCHES TOLERANCES DECIMALS ANGULAR .XX +.05 ± 0.5 DEG. .XXX +.01	
DRAWN DMITRIY POLISHCHUK	DATE 3-4-04
CHECKED	
DESIGN	

<b>AUTOMATIC FILTERS, INC.</b> 2672 S. LA CIENEGA BLVD. LOS ANGELES, CA 90034 (310) 839-2828 FAX (310) 839-6878		
TITLE <b>ABWxxP w/ GB6 BY-PASS VALVE</b>		
SIZE <b>A</b>	DWG NO. <b>ABW-2in</b>	REV <b>0</b>
SCALE 1:14		SHEET OF

E  
D  
C  
B  
A