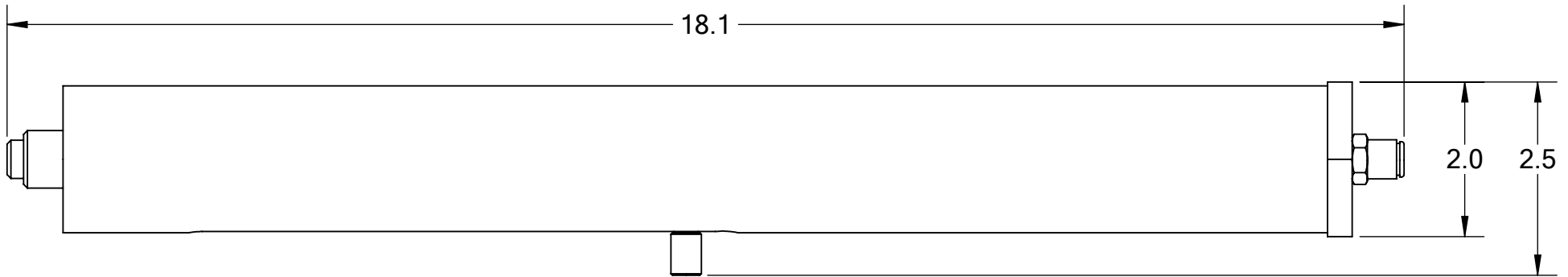
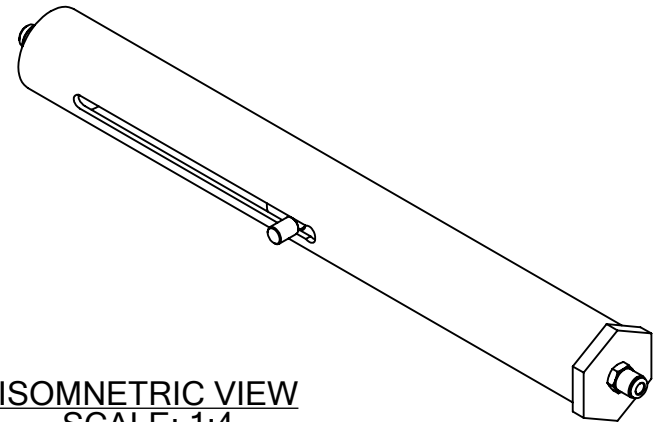


REVISIONS				
REV.	ZONE	DESCRIPTION	DATE	INITIAL




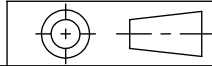
SIDE VIEW
SCALE: 1:2



ISOMNETRIC VIEW
SCALE: 1:4

NOTES:

- 1.5" PISTON TO BE INSTALLED ON MTF FILTERS WITH A SCREEN AREA OF 7.0 SQ FT OR LARGER

TOLERANCES (UNLESS OTHERWISE SPECIFIED) FRAC. $\pm 1/16$ ANGLE $\pm 1^\circ$.X $\pm .1$.XX $\pm .05$.XXX $\pm .010$		 TEKLEEN <i>Automatic Filters Inc.</i> 2672 S. LA CIENEGA BLVD. LOS ANGELES, CA 90034 MAIN: (310) 839-2828 FAX: (310) 839-6878
		
MATERIAL: VARIES		TITLE: LARGE MTF 1.5" PISTON OVERALL DIMENSIONS
DRAWN BY: R. LAM		
DATE: 03/28/18		DRAWING NUMBER REV MTF-1.5PISTON-ASSEMBLY-OAL N/A
SCALE: VARIES	SHEET: 1 OF 1	