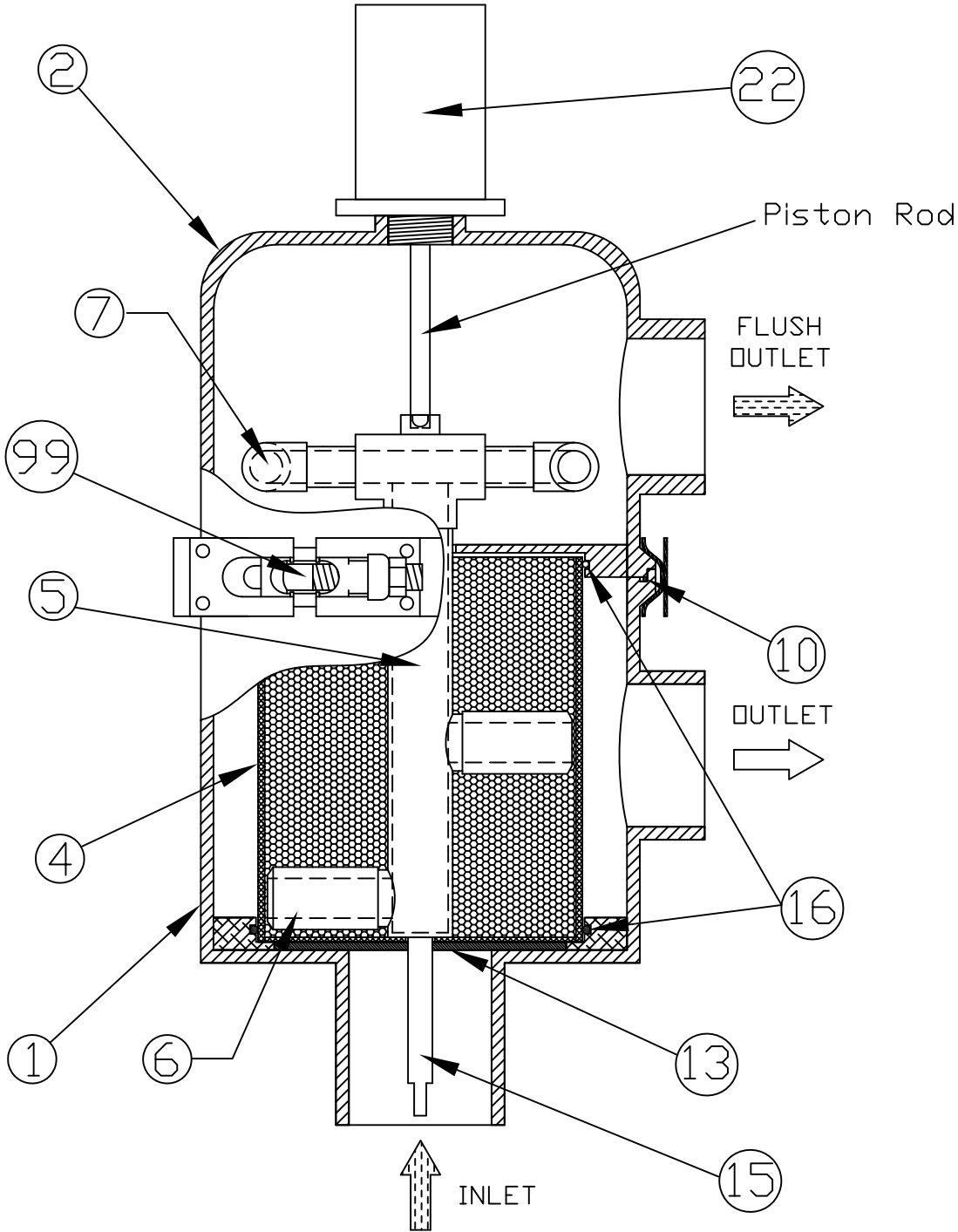


1                      2                      3                      4                      5                      6                      7                      8

REVISIONS				
REV	ZONE	DESCRIPTION	DATE	APPROVED
1	4B	ADDED SCREEN BAR. R.E. ITEM 13.	09/19/11	S.P.



PART #	DESCRIPTION	MATERIAL OF CONSTRUCTION
1	Filter Housing	Stainless 304
2	Filter Cover	Stainless 304
4	Fine Screen	Stainless 316L
5	Dirt Collector	Stainless 316L
6	Dirt Collector Nozzle	Nylon
7	Hydraulic Motor	Stainless 316L
10	Cover Seal	Buna Rubber
13	Screen Bar	Stainless 304
15	Dirt Collector Rod	Stainless 316L
16	Upper/Lower O-Ring	Buna Rubber
22	Hydraulic Piston	Delrin/Brass/SST316L/Buna
99	MTF Clamp	Stainless 316

UNLESS OTHERWISE SPECIFIED DIMENSIONS ARE IN INCHES TOLERANCES		AUTOMATIC FILTERS, INC. 2672 S. LA CIENEGA BLVD. LOS ANGELES, CA 90034 (310) 839-2828 FAX (310) 839-6878	
DECIMALS .XX ± .05 .XXX ± .01	ANGULAR ± 0.5 DEG.	TITLE MATERIAL OF CONSTRUCTION FOR MTF FILTER (I.E. MTF1, 1.5, 2, 2-L, 3, & 4)	
DRAWN A. HOCKETT	DATE 7-23/10	SIZE A	REV 1
CHECKED		DWG NO. MTF-XX-MOC-01	
DESIGN		SCALE 1/6	SHEET 1 OF 1

E  
D  
C  
B  
A