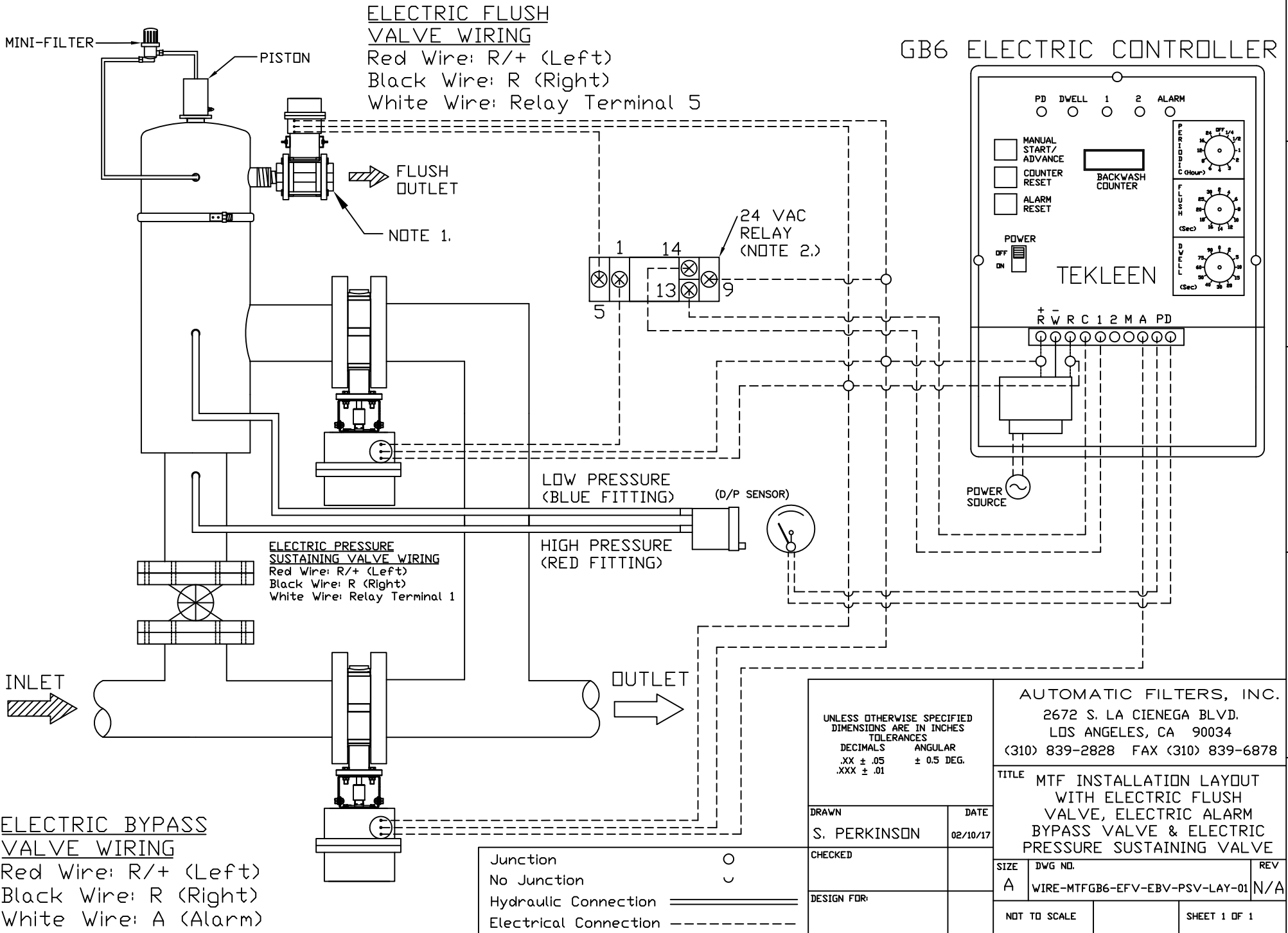


NOTES:  
 1. IT IS RECOMMENDED THAT A UNION BE INSTALLED BETWEEN THE FLUSH VALVE AND FLUSH LINE FOR EASE OF MAINTENANCE.  
 2. RELAY IS LOCATED INSIDE ELECTRIC CONTROLLER.

REVISIONS				
REV	ZONE	DESCRIPTION	DATE	APPROVED



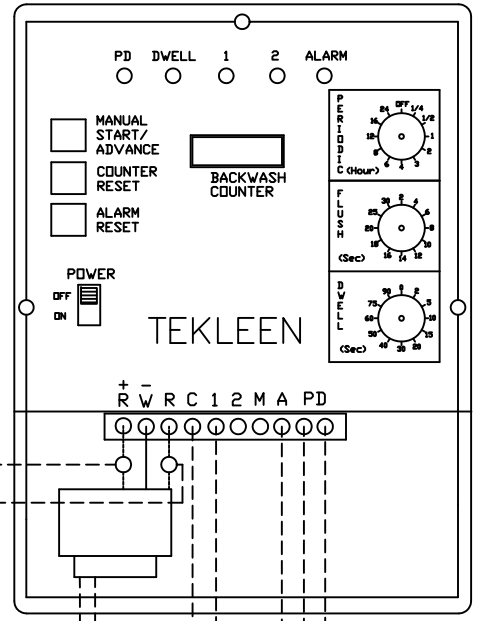
ELECTRIC FLUSH VALVE WIRING  
 Red Wire: R/+ (Left)  
 Black Wire: R (Right)  
 White Wire: Relay Terminal 5

ELECTRIC PRESSURE SUSTAINING VALVE WIRING  
 Red Wire: R/+ (Left)  
 Black Wire: R (Right)  
 White Wire: Relay Terminal 1

ELECTRIC BYPASS VALVE WIRING  
 Red Wire: R/+ (Left)  
 Black Wire: R (Right)  
 White Wire: A (Alarm)

Junction ○  
 No Junction ○  
 Hydraulic Connection =  
 Electrical Connection - - - - -

GB6 ELECTRIC CONTROLLER



UNLESS OTHERWISE SPECIFIED DIMENSIONS ARE IN INCHES TOLERANCES DECIMALS .XX ± .05 .XXX ± .01 ANGULAR ± 0.5 DEG.		AUTOMATIC FILTERS, INC. 2672 S. LA CIENEGA BLVD. LOS ANGELES, CA 90034 (310) 839-2828 FAX (310) 839-6878	
TITLE MTF INSTALLATION LAYOUT WITH ELECTRIC FLUSH VALVE, ELECTRIC ALARM BYPASS VALVE & ELECTRIC PRESSURE SUSTAINING VALVE		REV N/A	
DRAWN S. PERKINSON	DATE 02/10/17	SIZE A	DWG NO. WIRE-MTFGB6-EFV-EBV-PSV-LAY-01
CHECKED	DESIGN FOR:	NOT TO SCALE	SHEET 1 OF 1