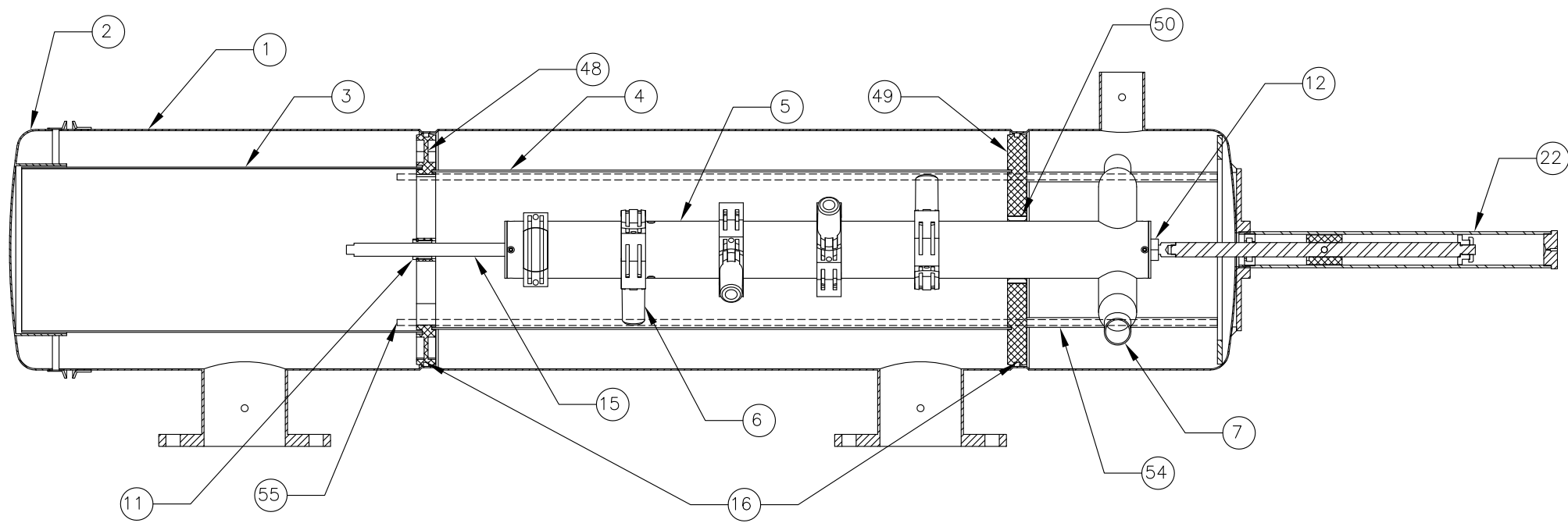


REVISIONS				
REV.	ZONE	DESCRIPTION	DATE	INITIAL



PART #	PART NAME	MATERIAL OF CONSTRUCTION
1	Filter Housing	SST 304
2	Cover	SST 304
3	Coarse Screen	SST 316L
4	Fine Screen	SST 316L
5	Dirt Collector	SST 316L
6	Nozzel	Nylon
7	Hydraulic motor	SST 316L
11	Upper Bearing	SST 316L
12	Lower Bearing	SST 316L
15	Dirt Collector Rod	SST 316L
16	Upper/Lower O-Ring	Buna Rubber
22	Hydraulic Piston	SST 316L, Brass, Delrin, Buna
48	Upper Bulkhead	Glass Filled Nylon
49	Lower Bulkhead	Glass Filled Nylon
50	Spacer Overmold	SST 316L
54	Support Rod Spacer	SST 304
55	Cradle	SST 316L

**TOLERANCES
(UNLESS OTHERWISE SPECIFIED)**

FRAC. $\pm 1/16$ ANGLE $\pm 1^\circ$
.X ± 1
.XX ± 05
.XXX ± 010

2672 S. LA CIENEGA BLVD.
LOS ANGELES, CA 90034
MAIN: (310) 839-2828
FAX: (310) 839-6878

MATERIAL: N/A
DRAWN BY: A. HOCKETT
DATE: 7/23/2010
SCALE: 1:8

TITLE: OBFXX-P
MATERIAL OF CONSTRUCTION
DRAWING NUMBER:
OBF-XXP-MOC-01