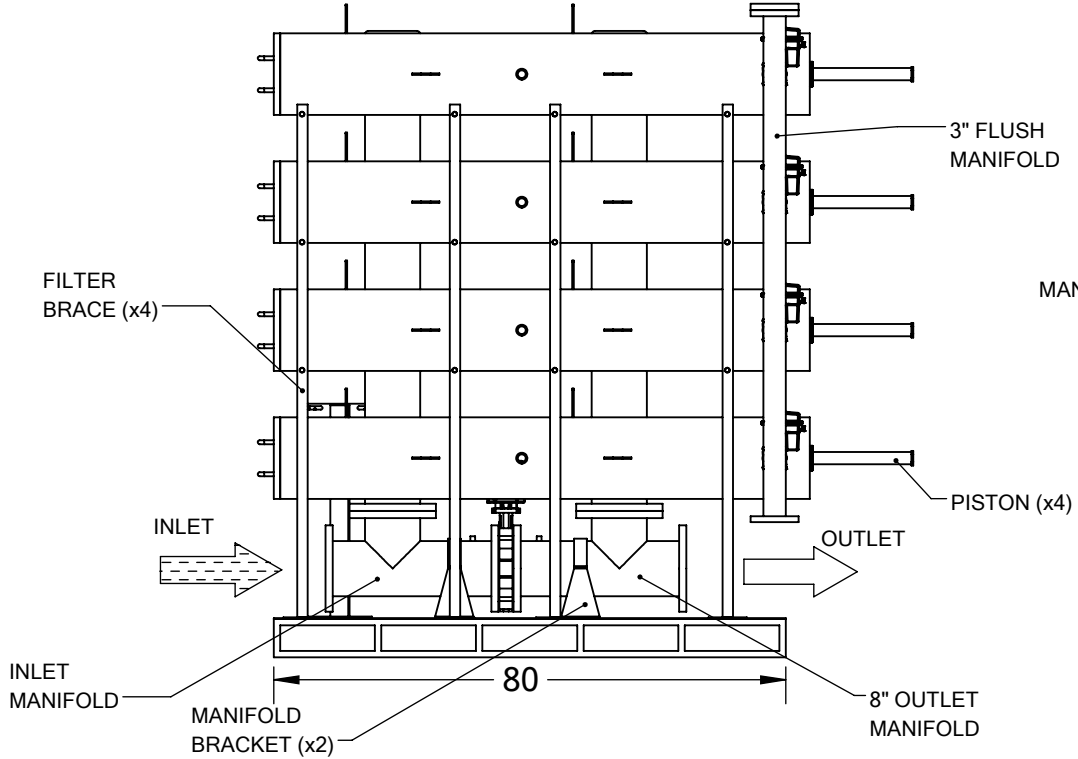
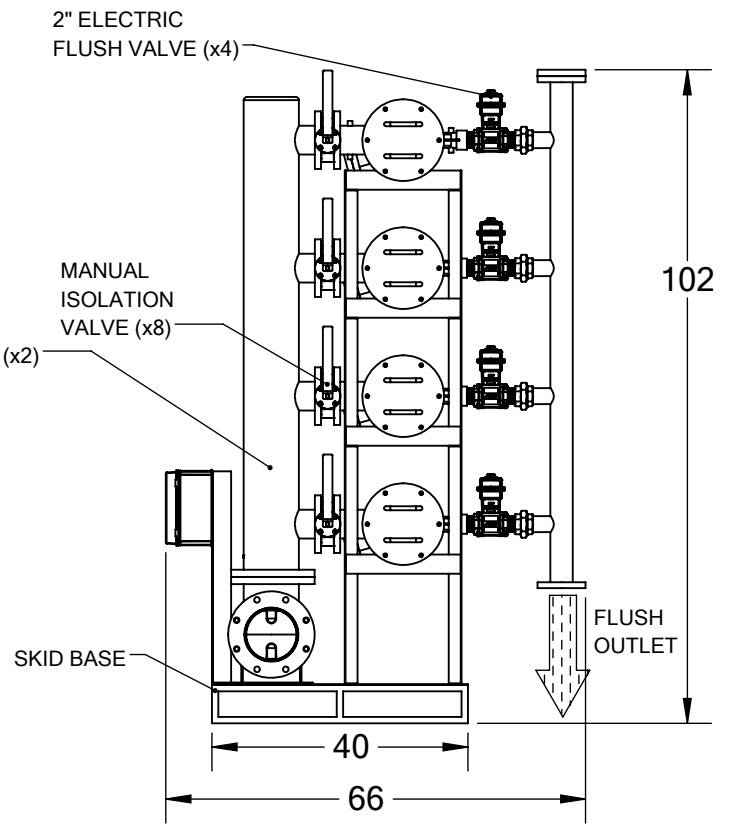


1 2 3 4 5 6 7 8

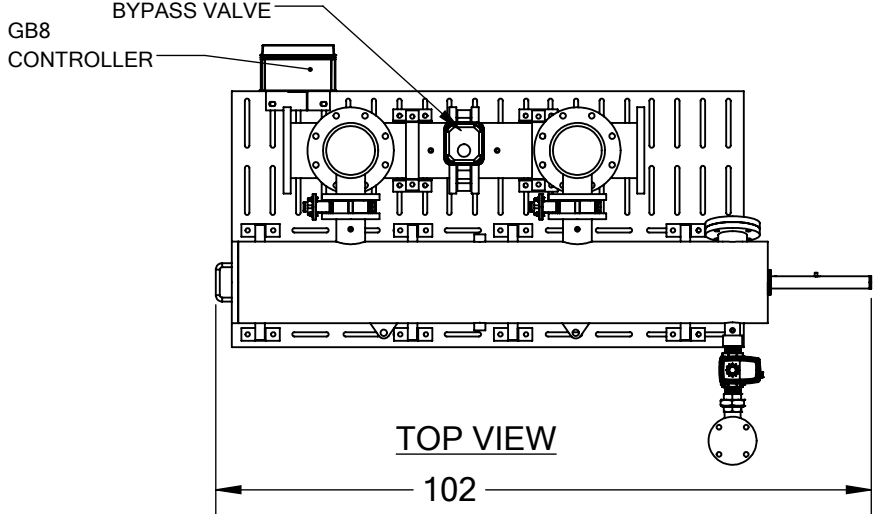
REVISIONS				
REV.	ZONE	DESCRIPTION	DATE	INITIAL



**SIDE VIEW**



**FRONT VIEW**



**TOP VIEW**

- NOTES:
1. MINI-FILTERS, D/P SWITCH, HARDWARE, HYDRAULIC & ELECTRICAL CONNECTIONS NOT SHOWN.
  2. ELECTRIC CONTROLLER MAY BE MOUNTED ELSEWHERE ON SKID BASE & VARY IN SIZE.
  3. ACTUAL VALVES & CONNECTING PIPES USED MAY DIFFER SLIGHTLY AND BE ORIENTED DIFFERENTLY.
  4. DIMENSIONS ARE APPROXIMATES AND MAY VARY SLIGHTLY.
  5. NUMBER OF BRACES MAY VARY.
  6. SERVICE AREAS NOT TO SCALE.

UNAUTHORIZED USE, MANUFACTURE OR REPRODUCTION IN WHOLE OR IN PART IS PROHIBITED. DRAWING, DESIGN AND OTHER DISCLOSURES PROPERTY OF TEKLEEN AUTOMATIC FILTERS, INC.

**TOLERANCES (UNLESS OTHERWISE SPECIFIED)**

FRAC. ±1/16	ANGLE ±1°
.X ±.1	
.XX ±.05	
.XXX ±.010	

**TEKLEEN**  
Automatic Filters Inc.  
2672 S. LA CIENEGA BLVD.  
LOS ANGELES, CA 90034  
MAIN: (310) 839-2828  
FAX: (310) 839-6878

<b>MATERIAL:</b>	VARIES
<b>DRAWN BY:</b>	M. SERRANO
<b>DATE:</b>	04/01/21
<b>SCALE:</b>	1:30
<b>SHEET:</b>	1 OF 1

<b>TITLE:</b>	4x ABW4-XLP FILTERS ON SKID UNIT LAYOUT DRAWING
<b>DRAWING NUMBER</b>	SKID-4ABW-4XLP-LAY-01
<b>REV</b>	N/A