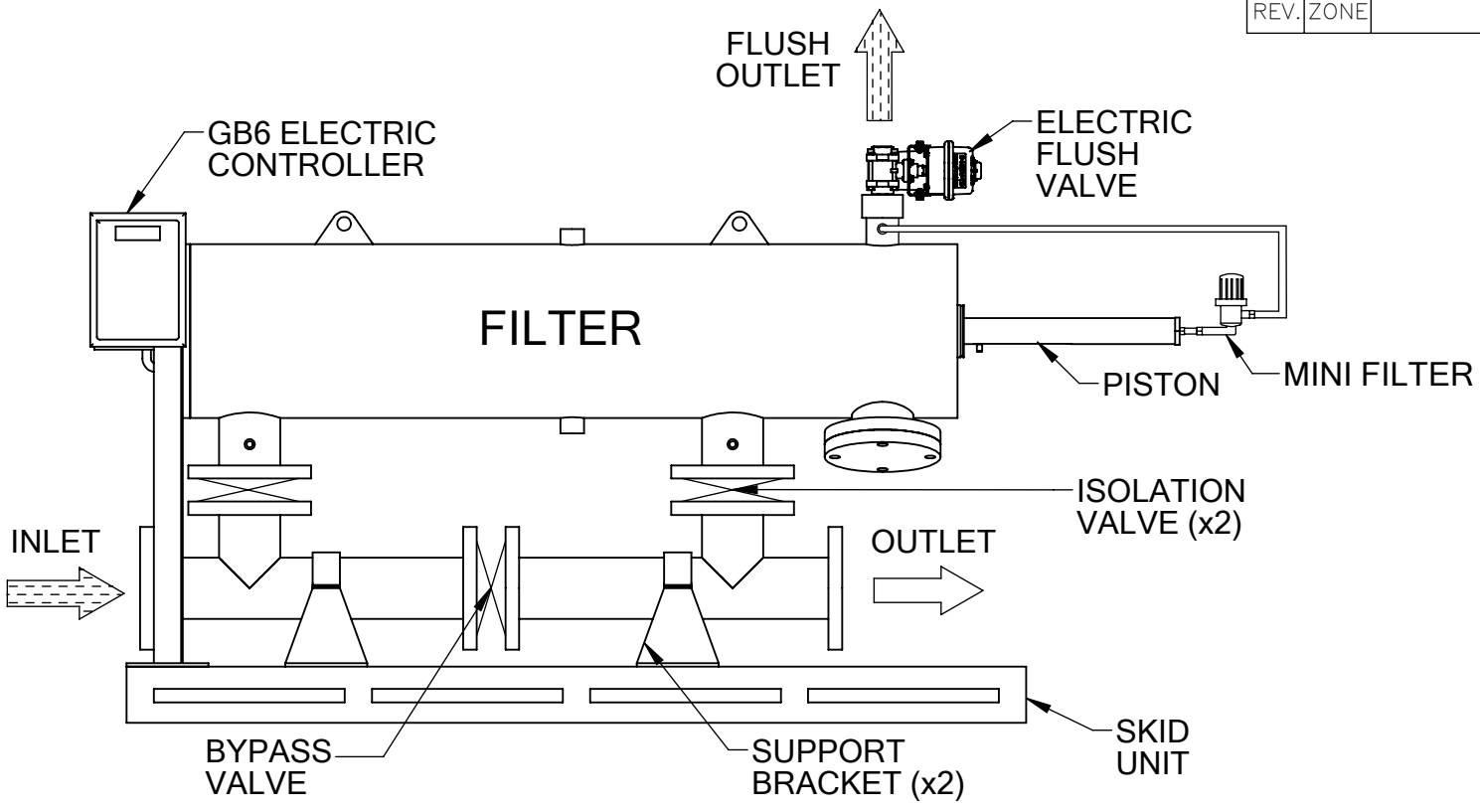
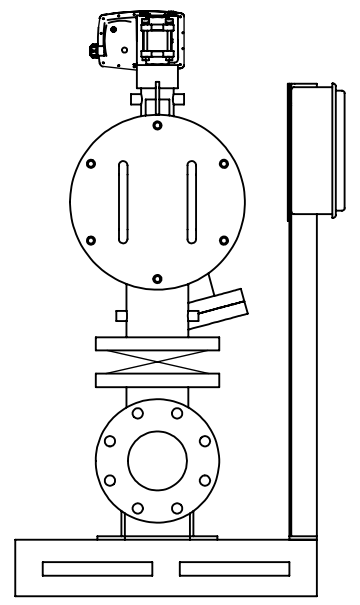


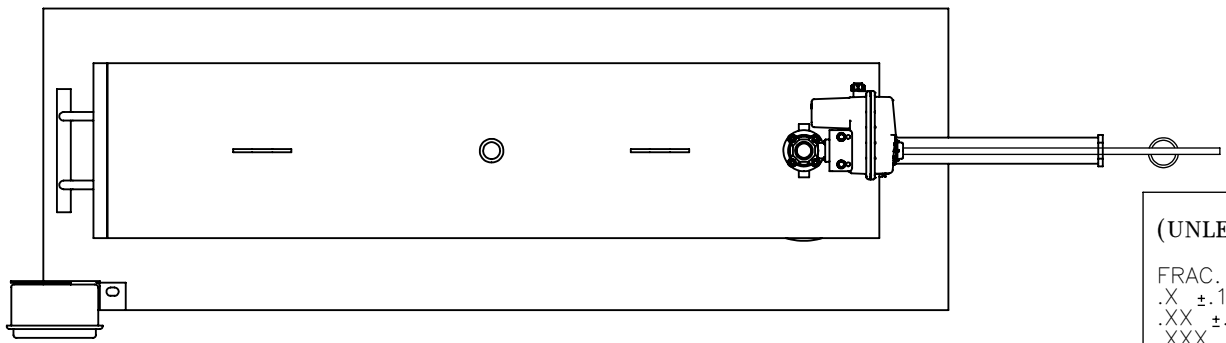
REVISIONS				
REV.	ZONE	DESCRIPTION	DATE	INITIAL



SIDE VIEW



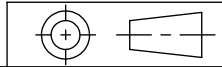
FRONT VIEW



TOP VIEW

TOLERANCES
(UNLESS OTHERWISE SPECIFIED)

FRAC. ±1/16	ANGLE ±1°
.X ±.1	
.XX ±.05	
.XXX ±.010	



TEKLEEN
Automatic Filters Inc.
2672 S. LA CIENEGA BLVD.
LOS ANGELES, CA 90034
MAIN: (310) 839-2828
FAX: (310) 839-6878

MATERIAL:	VARIES
DRAWN BY:	S. PERKINSON
DATE:	04/13/12
SCALE:	1:14

TITLE: ABW FILTER ON SKID UNIT, LAYOUT DRAWING,	
DRAWING NUMBER	REV
SKID-ABWGB6-EFV-LAY-01	N/A