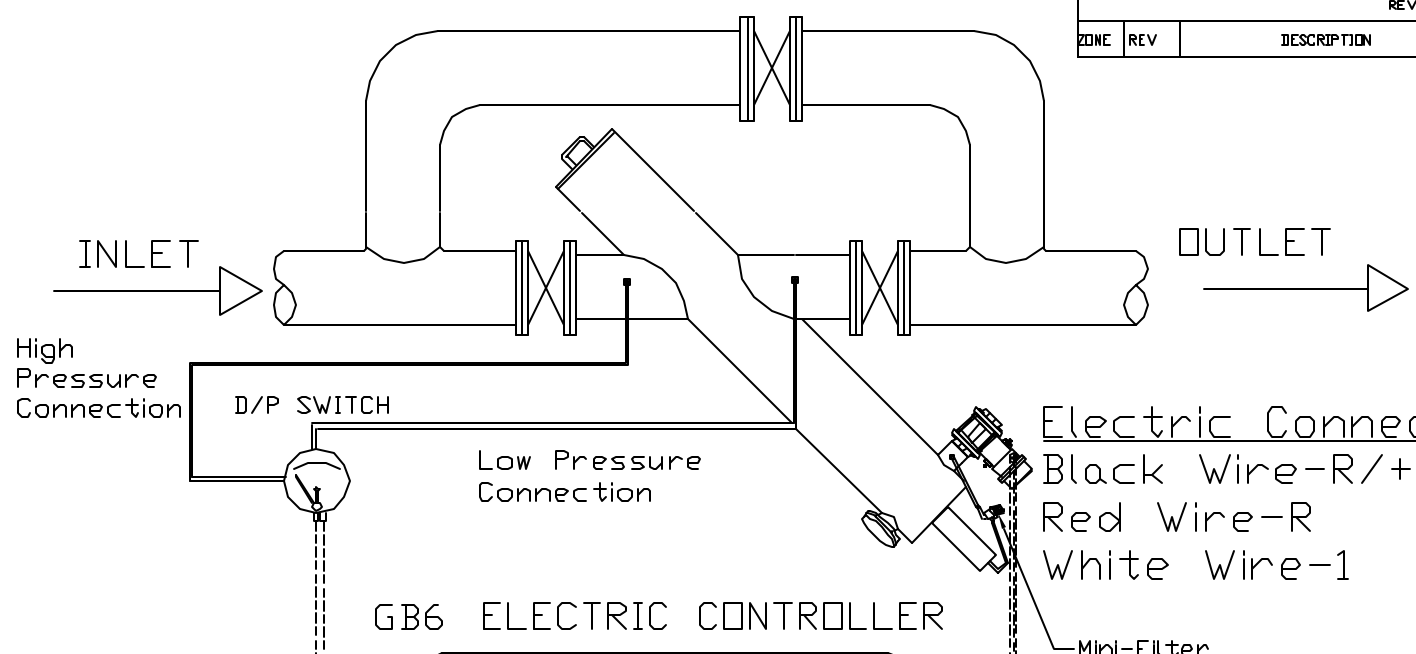


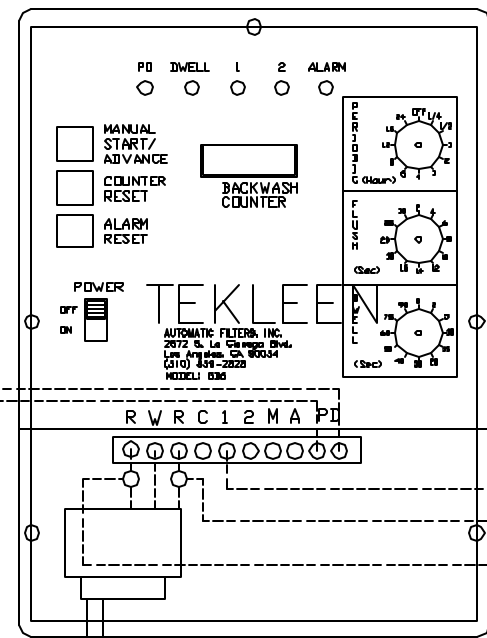
1 2 3 4 5 6 7 8

REVISIONS				
ZONE	REV	DESCRIPTION	DATE	APPROVED



Electric Connections
 Black Wire-R/+
 Red Wire-R
 White Wire-1

GB6 ELECTRIC CONTROLLER



Power Supply
 AC 110V/220V

UNLESS OTHERWISE SPECIFIED DIMENSIONS ARE IN INCHES TOLERANCES		AUTOMATIC FILTERS, INC.		
DECIMALS .XX ± .05 XXX ± .01		TITLE ABW LAYOUT W/ GB6 CONTROLLER & ELECTRIC FLUSH VALVE		
DRAWN Daniel Stenborg		DATE 2-15-06		
TAG NO.		JOB NO.		
P.O. NO.		SIZE A	DWG NO. ABW-IN	REV 0
CLIENT		LOCATION		SCALE: NONE
				SHEET 1 OF 1

E
D
C
B
A